

DATA SHEET

Three Phase Induction Motor - Squirrel Cage



Customer :		
Product line	: Rolled Steel NEMA Premium Efficiency Three-Phase	
Product code :	12630271	
Catalog # :	00518OT3E184T-S	
Frame	: 182/4T	
Insulation class	: F	
Duty cycle	: Cont.(S1)	
Ambient temperature	: -20°C to +40°C	
Altitude	: 1000 m.a.s.l.	
Design	: B	
Cooling method	: IC01 - ODP	
Mounting	: F-1	
Rotation ¹	: Both (CW and CCW)	
Starting method	: Direct On Line	
Approx. weight ²	: 83.4 lb	
Moment of inertia (J)	: 0.4003 sq.ft.lb	
Output [HP]	5	
Poles	4	
Frequency [Hz]	60	
Rated voltage [V]	230/460	
Rated current [A]	12.7/6.33	
L. R. Amperes [A]	91.2/45.6	
LRC [A]	7.2x(Code J)	
No load current [A]	6.29/3.15	
Rated speed [RPM]	1760	
Slip [%]	2.22	
Rated torque [ft.lb]	14.9	
Locked rotor torque [%]	200	
Breakdown torque [%]	310	
Service factor	1.15	
Temperature rise	80 K	
Locked rotor time	21s (cold) 12s (hot)	
Noise level ²	55.0 dB(A)	
Efficiency (%)	25%	87.5
	50%	88.5
	75%	88.5
	100%	89.5
Power Factor	25%	0.38
	50%	0.63
	75%	0.76
	100%	0.82
Bearing type	: <u>Drive end</u> 6206 ZZ <u>Non drive end</u> 6205 ZZ	
Sealing	: Without Without	
	: Bearing Seal Bearing Seal	
Lubrication interval	: - -	
Lubricant amount	: - -	
Lubricant type	: Mobil Polyrex EM	
Foundation loads	Max. traction : 247 lb	
	Max. compression : 331 lb	
Notes		
USABLE @208V 14.0A SF 1.00 SFA 14.0A		
This revision replaces and cancel the previous one, which must be eliminated.		
(1) Looking the motor from the shaft end.		
(2) Measured at 1m and with tolerance of +3dB(A).		
(3) Approximate weight subject to changes after manufacturing process.		
(4) At 100% of full load.		
These are average values based on tests with sinusoidal power supply, subject to the tolerances stipulated in NEMA MG-1.		
Rev.	Changes Summary	
Performed by	Performed	
Checked by	Checked	
Date	22/03/2021	
Page	1 / 16	
Revision		

TORQUE AND CURRENT VS SPEED CURVE

Three Phase Induction Motor - Squirrel Cage



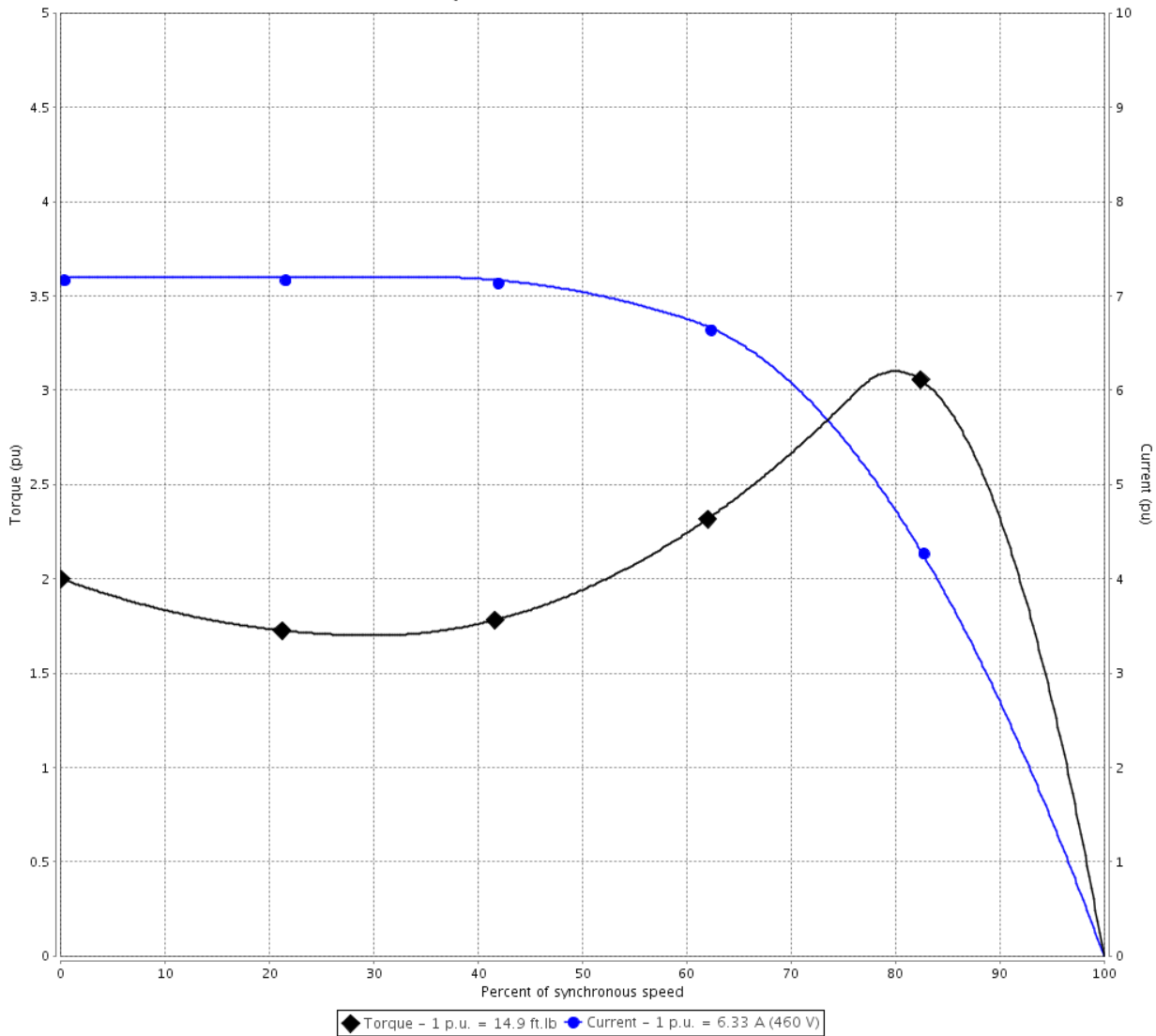
Customer :

Product line : Rolled Steel NEMA Premium Efficiency Three-Phase

Product code : 12630271

Catalog # : 00518OT3E184T-S

TORQUE AND CURRENT VS SPEED CURVE



Performance : 230/460 V 60 Hz 4P

Rated current	: 12.7/6.33 A	Moment of inertia (J)	: 0.4003 sq.ft.lb
LRC	: 7.2	Duty cycle	: Cont.(S1)
Rated torque	: 14.9 ft.lb	Insulation class	: F
Locked rotor torque	: 200 %	Service factor	: 1.15
Breakdown torque	: 310 %	Temperature rise	: 80 K
Rated speed	: 1760 rpm	Design	: B

Locked rotor time : 21s (cold) 12s (hot)

Rev.	Changes Summary	Performed	Checked	Date
Performed by			Page 2 / 16	Revision
Checked by				
Date	22/03/2021			

TORQUE AND CURRENT VS SPEED CURVE



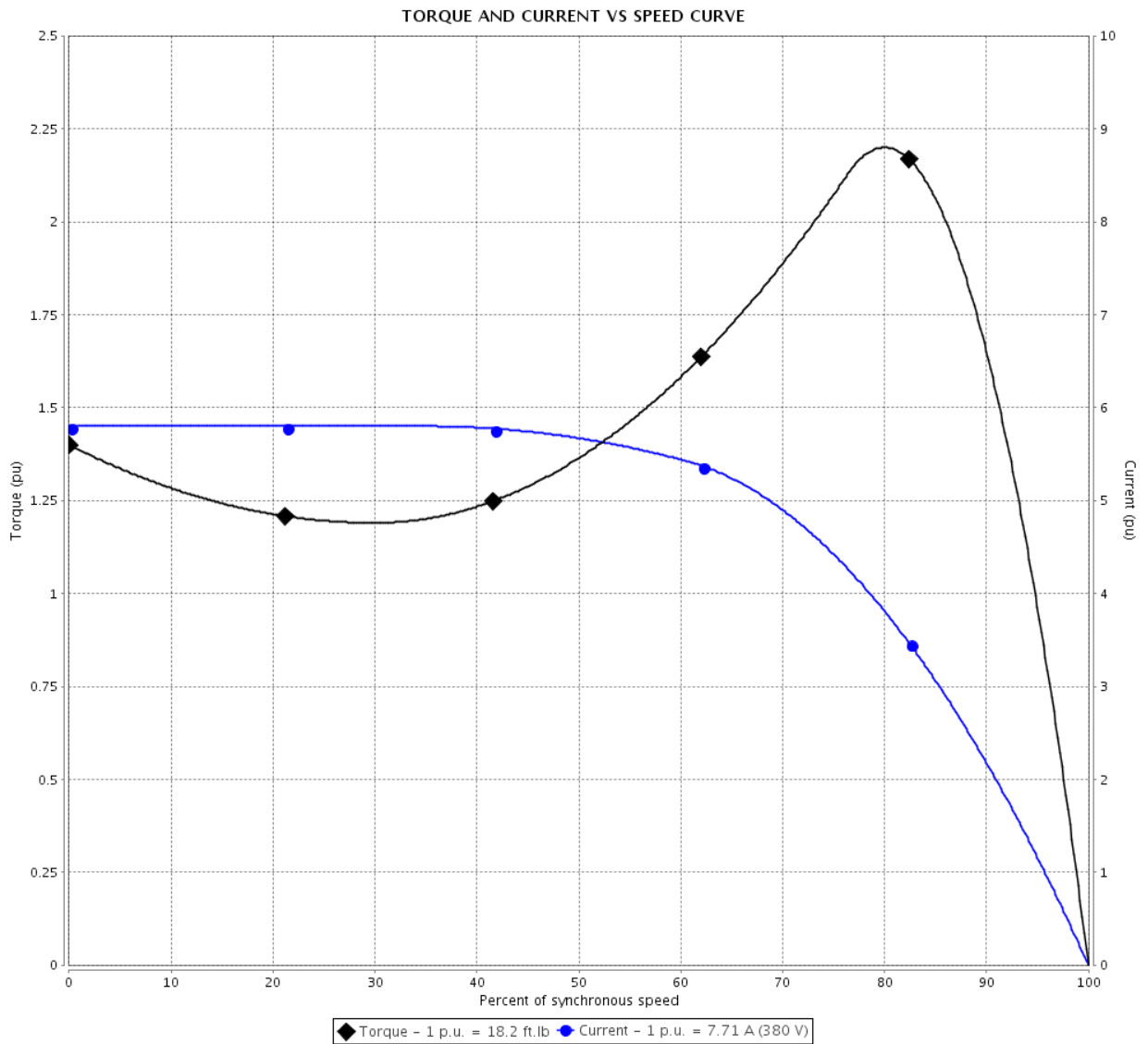
Three Phase Induction Motor - Squirrel Cage

Customer :

Product line : Rolled Steel NEMA Premium Efficiency Three-Phase

Product code : 12630271

Catalog # : 00518OT3E184T-S



Performance : 190/380 V 50 Hz 4P

Rated current : 15.4/7.71 A
 LRC : 5.8
 Rated torque : 18.2 ft.lb
 Locked rotor torque : 140 %
 Breakdown torque : 220 %
 Rated speed : 1445 rpm

Moment of inertia (J) : 0.4003 sq.ft.lb
 Duty cycle : Cont.(S1)
 Insulation class : F
 Service factor : 1.15
 Temperature rise : 80 K
 Design : B

Locked rotor time : 0s (cold) 0s (hot)

Rev.	Changes Summary	Performed	Checked	Date
Performed by			Page 3 / 16	Revision
Checked by				
Date	22/03/2021			

TORQUE AND CURRENT VS SPEED CURVE

Three Phase Induction Motor - Squirrel Cage

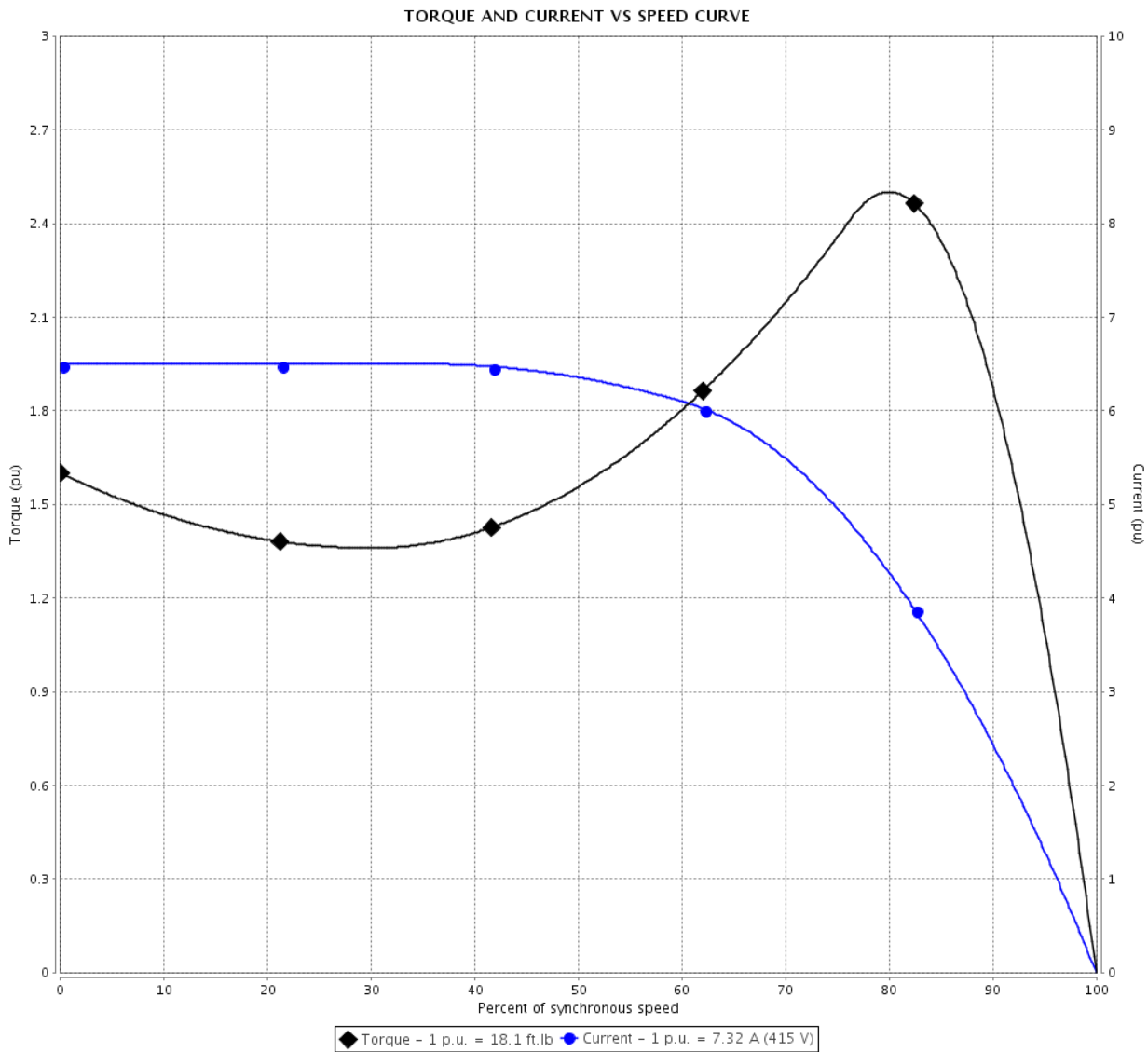


Customer :

Product line : Rolled Steel NEMA Premium Efficiency Three-Phase

Product code : 12630271

Catalog # : 005180T3E184T-S



Performance : 220/415 V 50 Hz 4P

Rated current	: 13.8/7.32 A	Moment of inertia (J)	: 0.4003 sq.ft.lb
LRC	: 6.5	Duty cycle	: Cont.(S1)
Rated torque	: 18.1 ft.lb	Insulation class	: F
Locked rotor torque	: 160 %	Service factor	: 1.15
Breakdown torque	: 250 %	Temperature rise	: 80 K
Rated speed	: 1450 rpm	Design	: B

Locked rotor time : 0s (cold) 0s (hot)

Rev.	Changes Summary	Performed	Checked	Date
Performed by			Page 4 / 16	Revision
Checked by				
Date	22/03/2021			

LOAD PERFORMANCE CURVE

Three Phase Induction Motor - Squirrel Cage

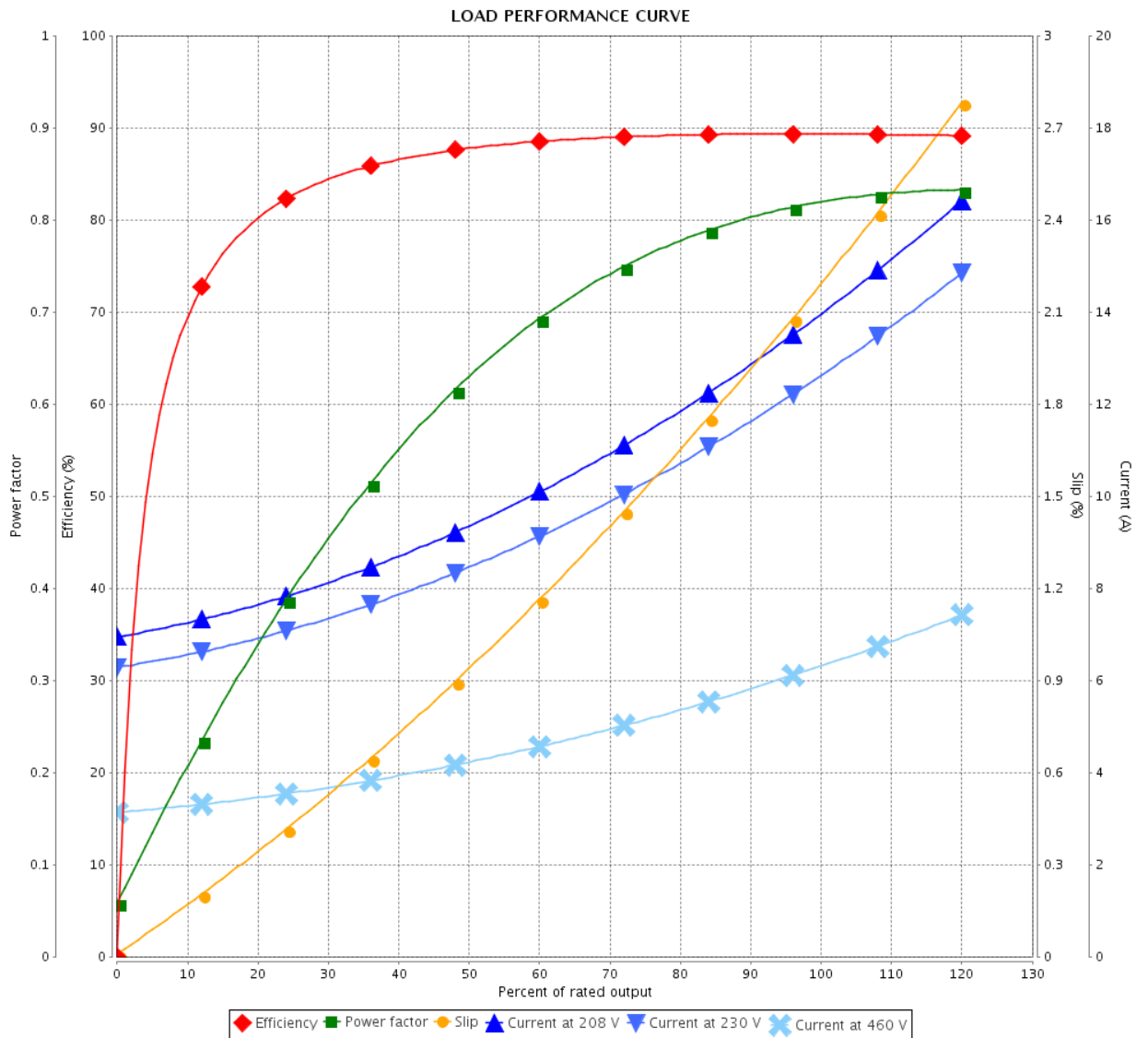


Customer : _____

Product line : Rolled Steel NEMA Premium Efficiency Three-Phase

Product code : 12630271

Catalog # : 00518OT3E184T-S



Performance : 230/460 V 60 Hz 4P

Rated current : 12.7/6.33 A
 LRC : 7.2
 Rated torque : 14.9 ft.lb
 Locked rotor torque : 200 %
 Breakdown torque : 310 %
 Rated speed : 1760 rpm

Moment of inertia (J) : 0.4003 sq.ft.lb
 Duty cycle : Cont.(S1)
 Insulation class : F
 Service factor : 1.15
 Temperature rise : 80 K
 Design : B

Rev.	Changes Summary	Performed	Checked	Date
Performed by		Page		Revision
Checked by		5 / 16		
Date		22/03/2021		

LOAD PERFORMANCE CURVE

Three Phase Induction Motor - Squirrel Cage

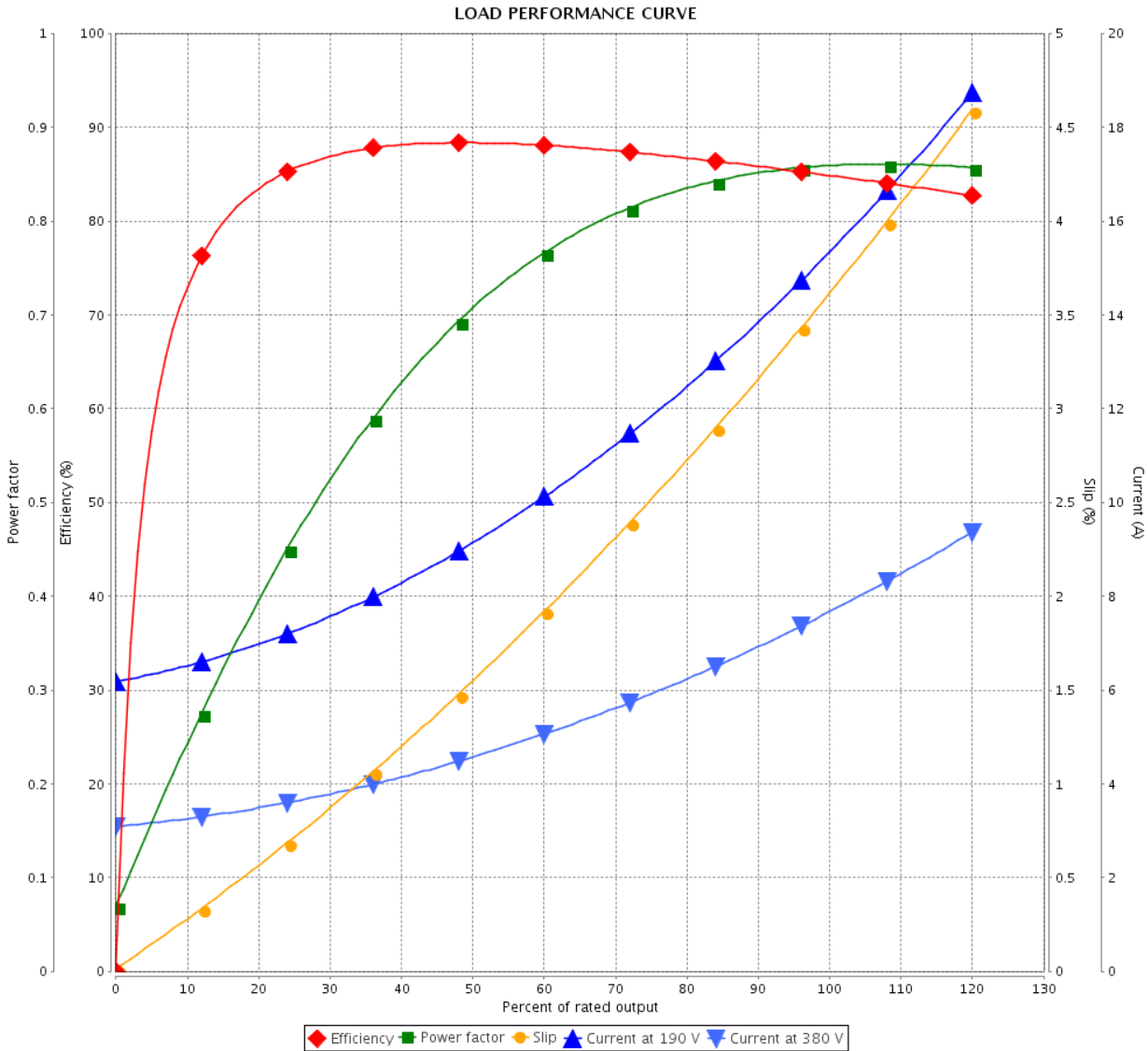


Customer :

Product line : Rolled Steel NEMA Premium Efficiency Three-Phase

Product code : 12630271

Catalog # : 005180T3E184T-S



Performance : 190/380 V 50 Hz 4P

Rated current : 15.4/7.71 A
 LRC : 5.8
 Rated torque : 18.2 ft.lb
 Locked rotor torque : 140 %
 Breakdown torque : 220 %
 Rated speed : 1445 rpm

Moment of inertia (J) : 0.4003 sq.ft.lb
 Duty cycle : Cont.(S1)
 Insulation class : F
 Service factor : 1.15
 Temperature rise : 80 K
 Design : B

Rev.	Changes Summary	Performed	Checked	Date
Performed by			Page	Revision
Checked by			6 / 16	
Date	22/03/2021			

LOAD PERFORMANCE CURVE

Three Phase Induction Motor - Squirrel Cage

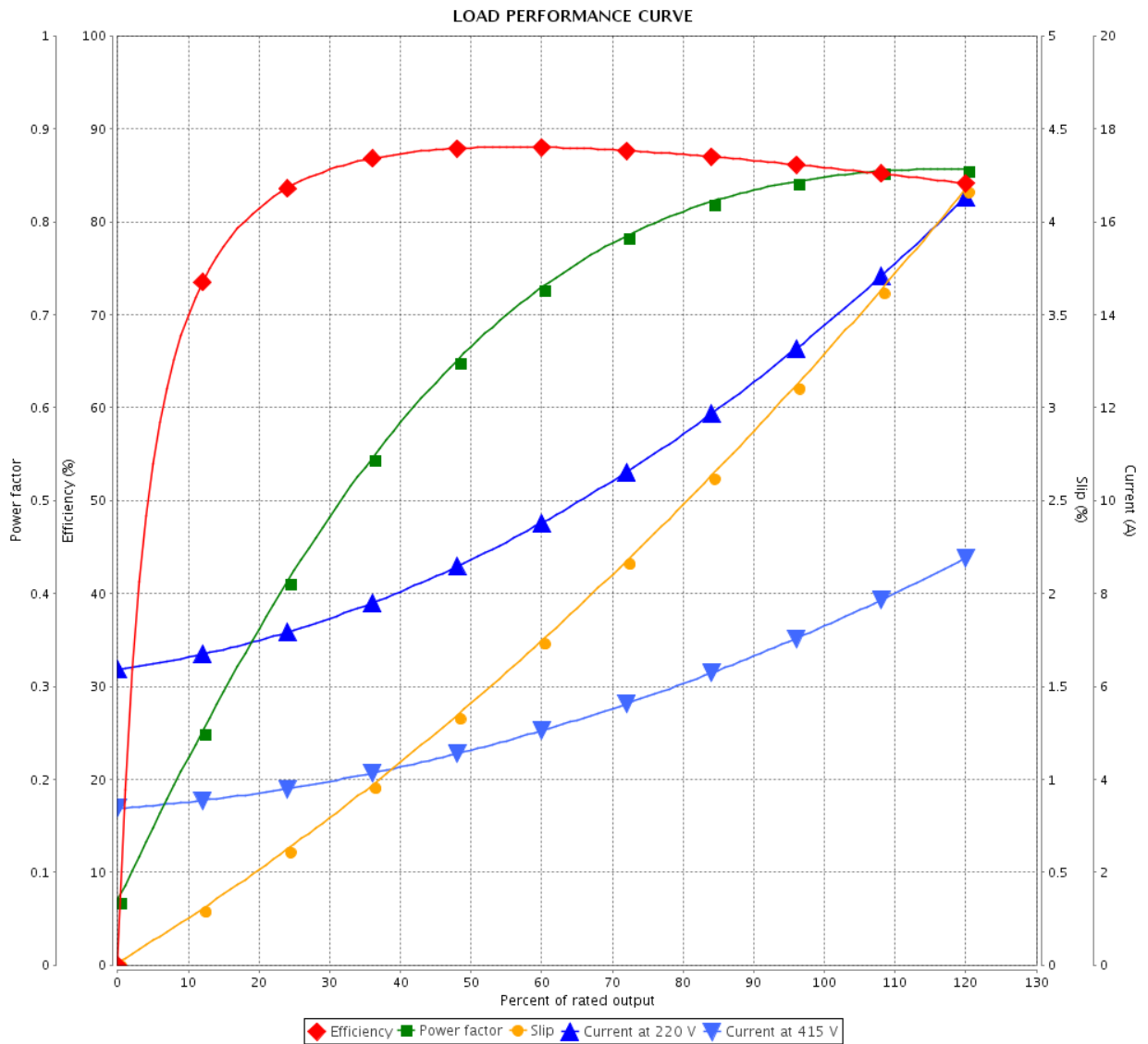


Customer : _____

Product line : Rolled Steel NEMA Premium Efficiency Three-Phase

Product code : 12630271

Catalog # : 00518OT3E184T-S



Performance : 220/415 V 50 Hz 4P

Rated current : 13.8/7.32 A
 LRC : 6.5
 Rated torque : 18.1 ft.lb
 Locked rotor torque : 160 %
 Breakdown torque : 250 %
 Rated speed : 1450 rpm

Moment of inertia (J) : 0.4003 sq.ft.lb
 Duty cycle : Cont.(S1)
 Insulation class : F
 Service factor : 1.15
 Temperature rise : 80 K
 Design : B

Rev.	Changes Summary	Performed	Checked	Date
Performed by		Page		Revision
Checked by		7 / 16		
Date		22/03/2021		

THERMAL LIMIT CURVE



Three Phase Induction Motor - Squirrel Cage

Customer :

Product line : Rolled Steel NEMA Premium
Efficiency Three-Phase

Product code : 12630271

Catalog # : 00518OT3E184T-S

Performance : 230/460 V 60 Hz 4P

Rated current : 12.7/6.33 A
LRC : 7.2
Rated torque : 14.9 ft.lb
Locked rotor torque : 200 %
Breakdown torque : 310 %
Rated speed : 1760 rpm

Moment of inertia (J) : 0.4003 sq.ft.lb
Duty cycle : Cont.(S1)
Insulation class : F
Service factor : 1.15
Temperature rise : 80 K
Design : B

Heating constant

Cooling constant

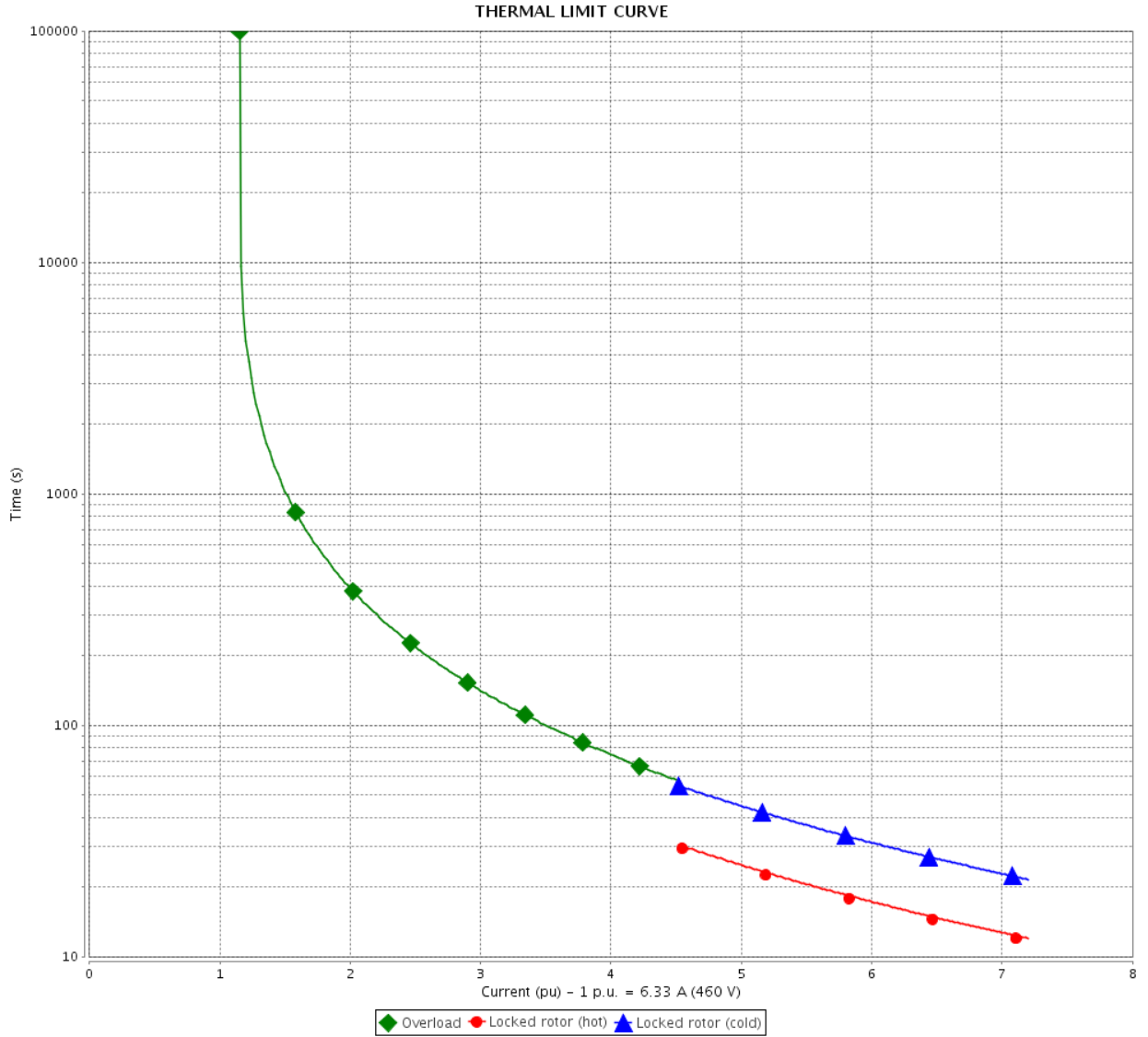
Rev.	Changes Summary	Performed	Checked	Date
Performed by				
Checked by			Page	Revision
Date	22/03/2021		8 / 16	

THERMAL LIMIT CURVE

Three Phase Induction Motor - Squirrel Cage



Customer : _____



Rev.	Changes Summary	Performed	Checked	Date
Performed by				
Checked by				
Date				
		Page	Revision	
		9 / 16		

THERMAL LIMIT CURVE



Three Phase Induction Motor - Squirrel Cage

Customer :

Product line : Rolled Steel NEMA Premium
Efficiency Three-Phase

Product code : 12630271

Catalog # : 00518OT3E184T-S

Performance : 190/380 V 50 Hz 4P

Rated current : 15.4/7.71 A
LRC : 5.8
Rated torque : 18.2 ft.lb
Locked rotor torque : 140 %
Breakdown torque : 220 %
Rated speed : 1445 rpm

Moment of inertia (J) : 0.4003 sq.ft.lb
Duty cycle : Cont.(S1)
Insulation class : F
Service factor : 1.15
Temperature rise : 80 K
Design : B

Heating constant

Cooling constant

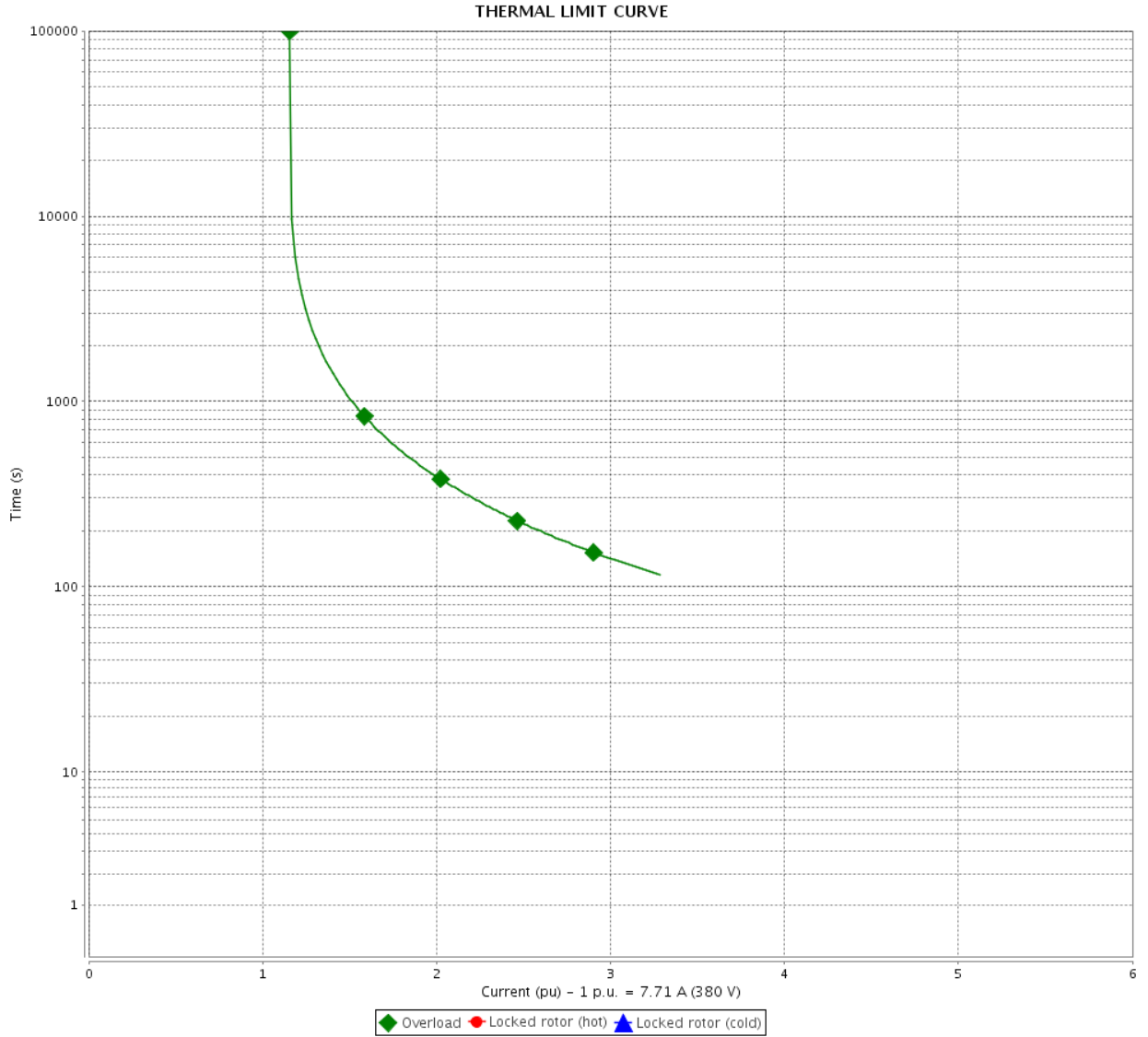
Rev.	Changes Summary	Performed	Checked	Date
Performed by				
Checked by			Page	Revision
Date	22/03/2021		10 / 16	

THERMAL LIMIT CURVE

Three Phase Induction Motor - Squirrel Cage



Customer : _____



Rev.	Changes Summary	Performed	Checked	Date
Performed by		Page		Revision
Checked by				
Date				

THERMAL LIMIT CURVE



Three Phase Induction Motor - Squirrel Cage

Customer :

Product line : Rolled Steel NEMA Premium
Efficiency Three-Phase

Product code : 12630271

Catalog # : 00518OT3E184T-S

Performance : 220/415 V 50 Hz 4P

Rated current : 13.8/7.32 A
LRC : 6.5
Rated torque : 18.1 ft.lb
Locked rotor torque : 160 %
Breakdown torque : 250 %
Rated speed : 1450 rpm

Moment of inertia (J) : 0.4003 sq.ft.lb
Duty cycle : Cont.(S1)
Insulation class : F
Service factor : 1.15
Temperature rise : 80 K
Design : B

Heating constant

Cooling constant

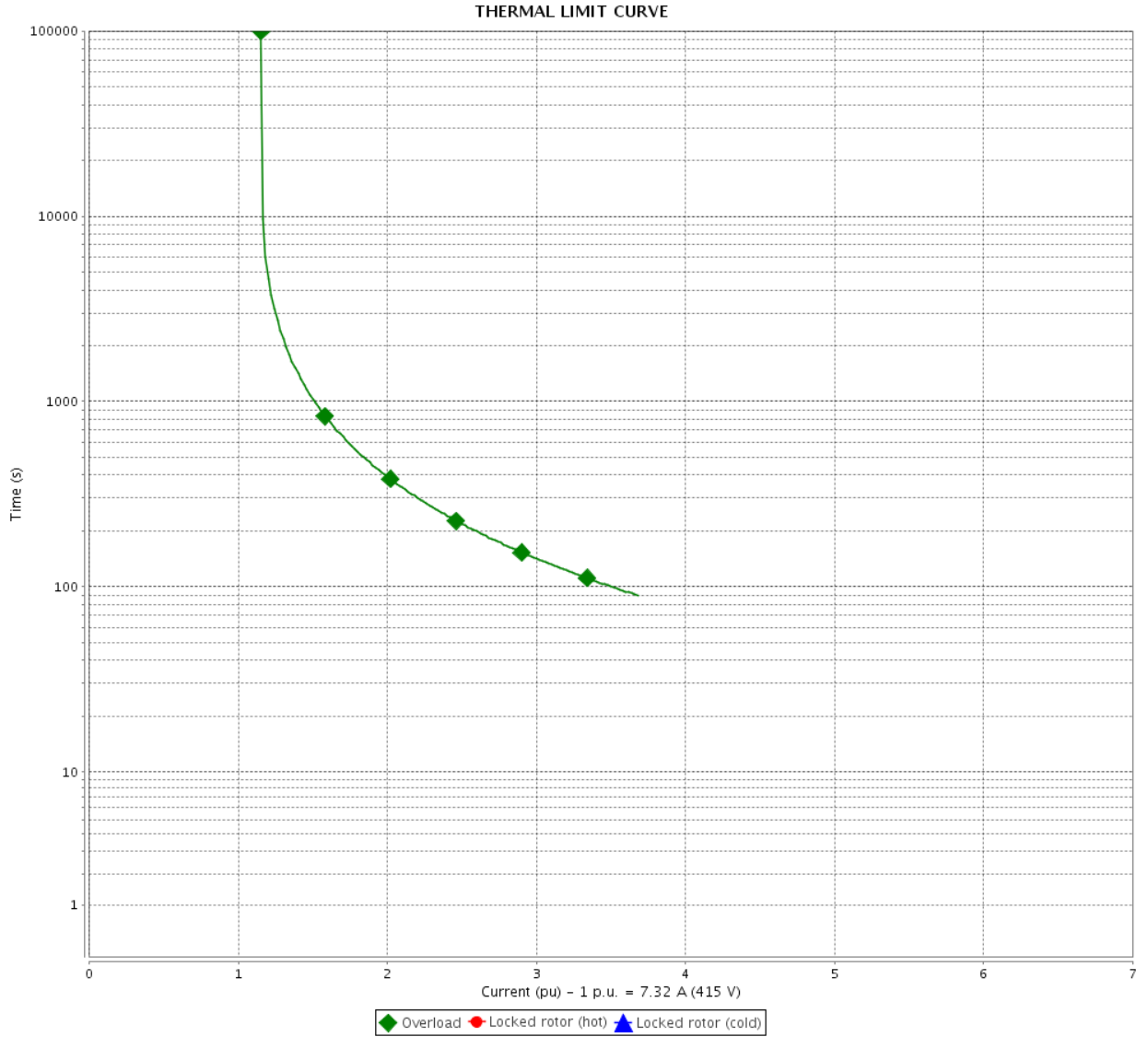
Rev.	Changes Summary	Performed	Checked	Date
Performed by				
Checked by				
Date	22/03/2021		Page 12 / 16	Revision

THERMAL LIMIT CURVE

Three Phase Induction Motor - Squirrel Cage



Customer : _____



Rev.	Changes Summary	Performed	Checked	Date
Performed by		Page		Revision
Checked by		13 / 16		
Date		22/03/2021		

VFD OPERATION CURVE

Three Phase Induction Motor - Squirrel Cage

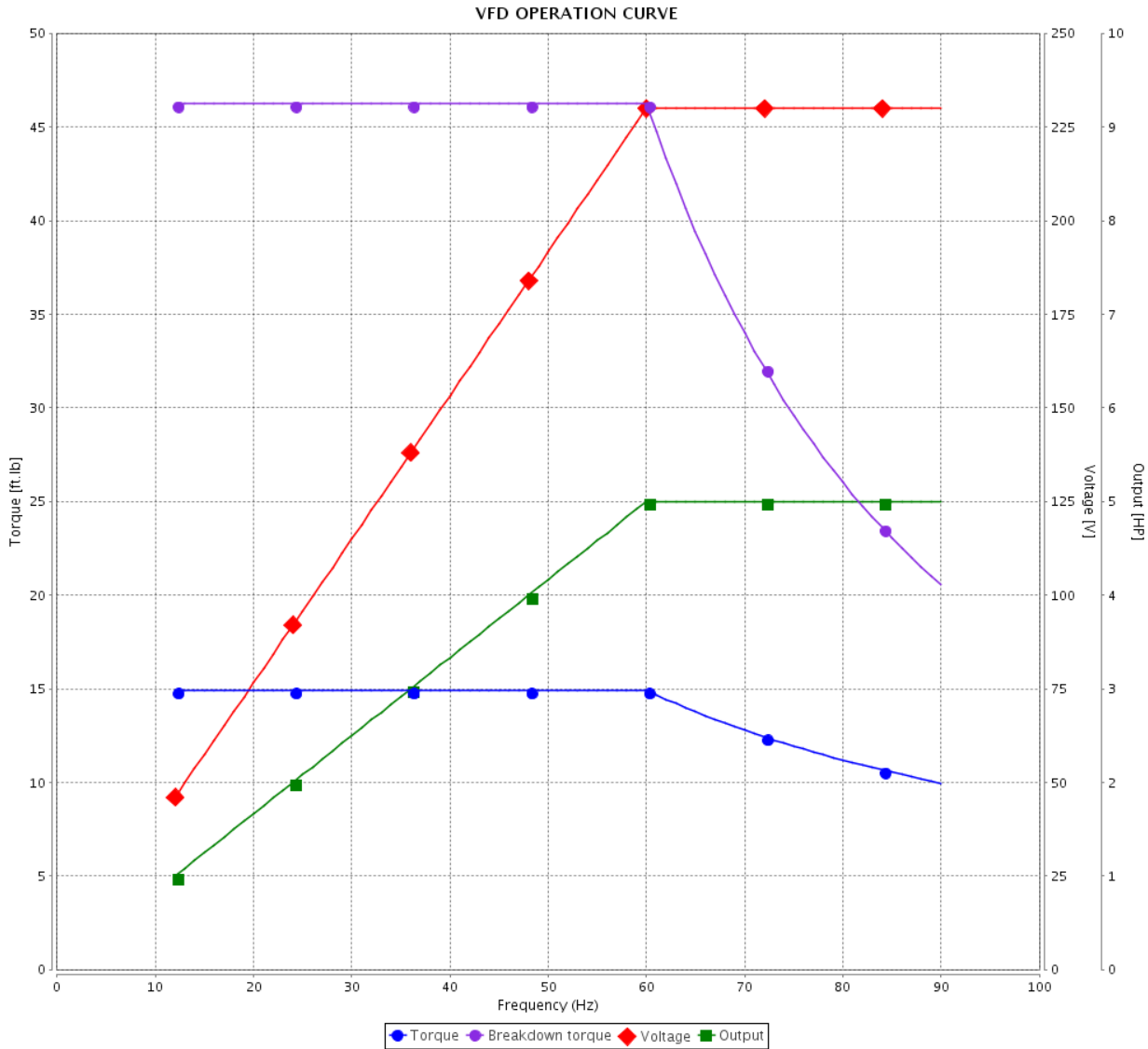


Customer :

Product line : Rolled Steel NEMA Premium Efficiency Three-Phase

Product code : 12630271

Catalog # : 005180T3E184T-S



Performance : 230/460 V 60 Hz 4P

Rated current : 12.7/6.33 A
 LRC : 7.2
 Rated torque : 14.9 ft.lb
 Locked rotor torque : 200 %
 Breakdown torque : 310 %
 Rated speed : 1760 rpm

Moment of inertia (J) : 0.4003 sq.ft.lb
 Duty cycle : Cont.(S1)
 Insulation class : F
 Service factor : 1.15
 Temperature rise : 80 K
 Design : B

Rev.	Changes Summary	Performed	Checked	Date
Performed by			Page 14 / 16	Revision
Checked by				
Date	22/03/2021			

VFD OPERATION CURVE

Three Phase Induction Motor - Squirrel Cage

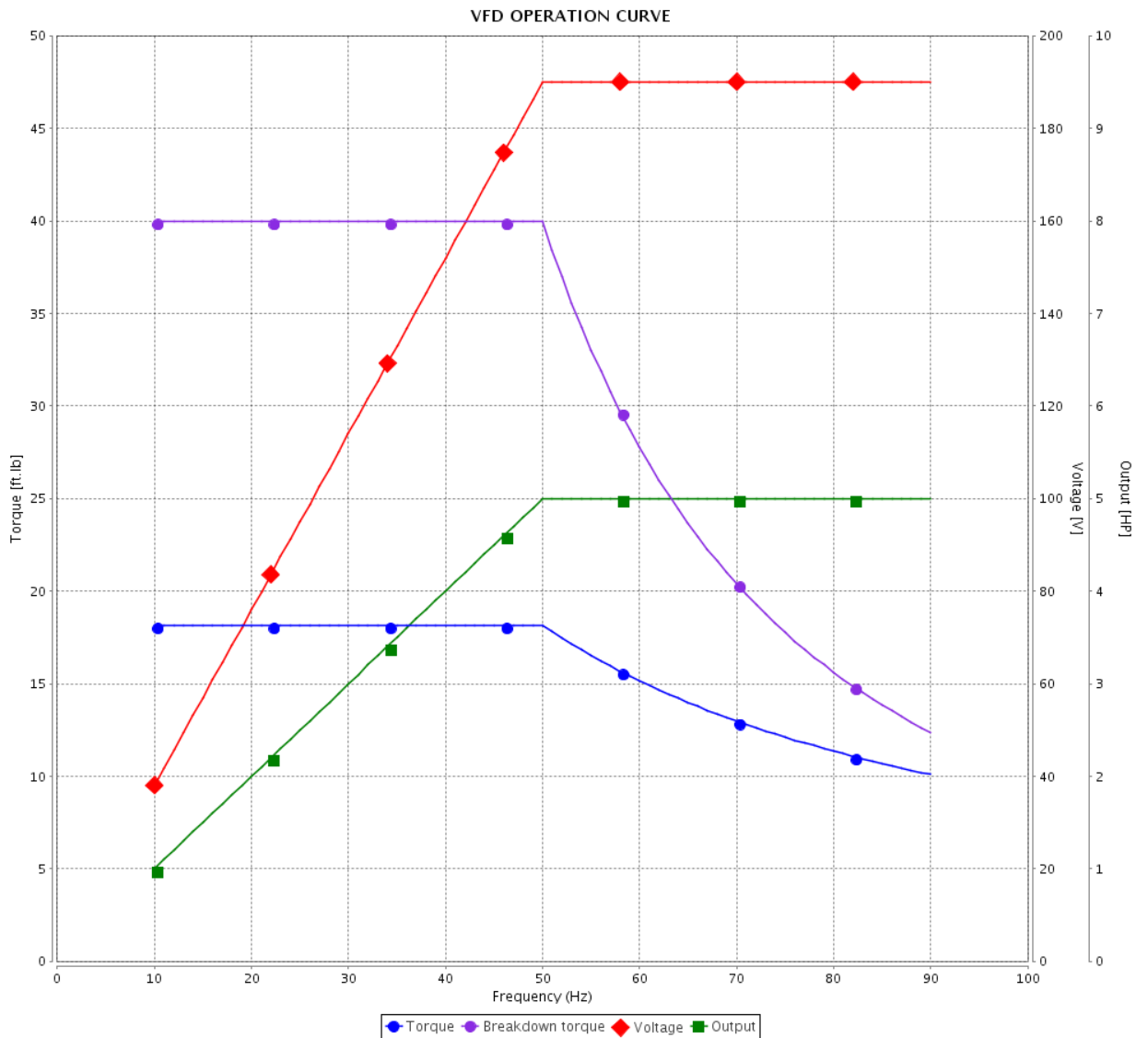


Customer :

Product line : Rolled Steel NEMA Premium Efficiency Three-Phase

Product code : 12630271

Catalog # : 005180T3E184T-S



Performance : 190/380 V 50 Hz 4P

Rated current : 15.4/7.71 A
 LRC : 5.8
 Rated torque : 18.2 ft.lb
 Locked rotor torque : 140 %
 Breakdown torque : 220 %
 Rated speed : 1445 rpm

Moment of inertia (J) : 0.4003 sq.ft.lb
 Duty cycle : Cont.(S1)
 Insulation class : F
 Service factor : 1.15
 Temperature rise : 80 K
 Design : B

Rev.	Changes Summary	Performed	Checked	Date
Performed by		Page		Revision
Checked by		15 / 16		
Date	22/03/2021			

VFD OPERATION CURVE

Three Phase Induction Motor - Squirrel Cage

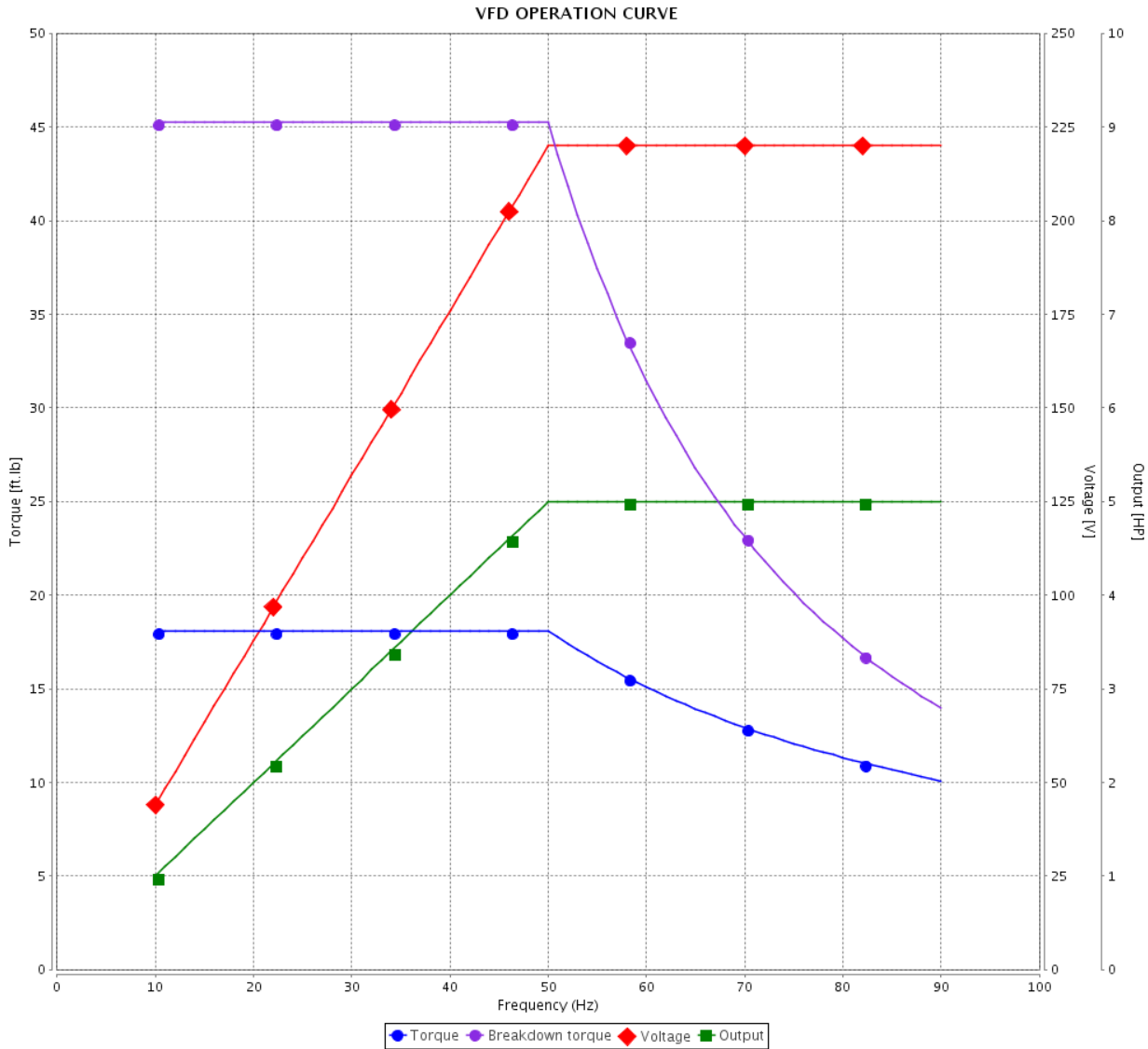


Customer :

Product line : Rolled Steel NEMA Premium Efficiency Three-Phase

Product code : 12630271

Catalog # : 00518OT3E184T-S



Performance : 220/415 V 50 Hz 4P

Rated current : 13.8/7.32 A
 LRC : 6.5
 Rated torque : 18.1 ft.lb
 Locked rotor torque : 160 %
 Breakdown torque : 250 %
 Rated speed : 1450 rpm

Moment of inertia (J) : 0.4003 sq.ft.lb
 Duty cycle : Cont.(S1)
 Insulation class : F
 Service factor : 1.15
 Temperature rise : 80 K
 Design : B

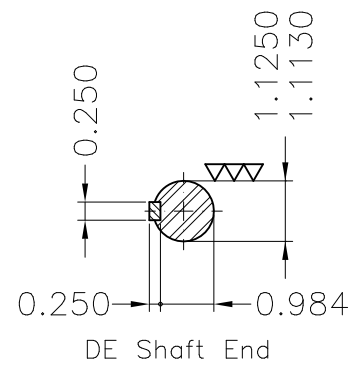
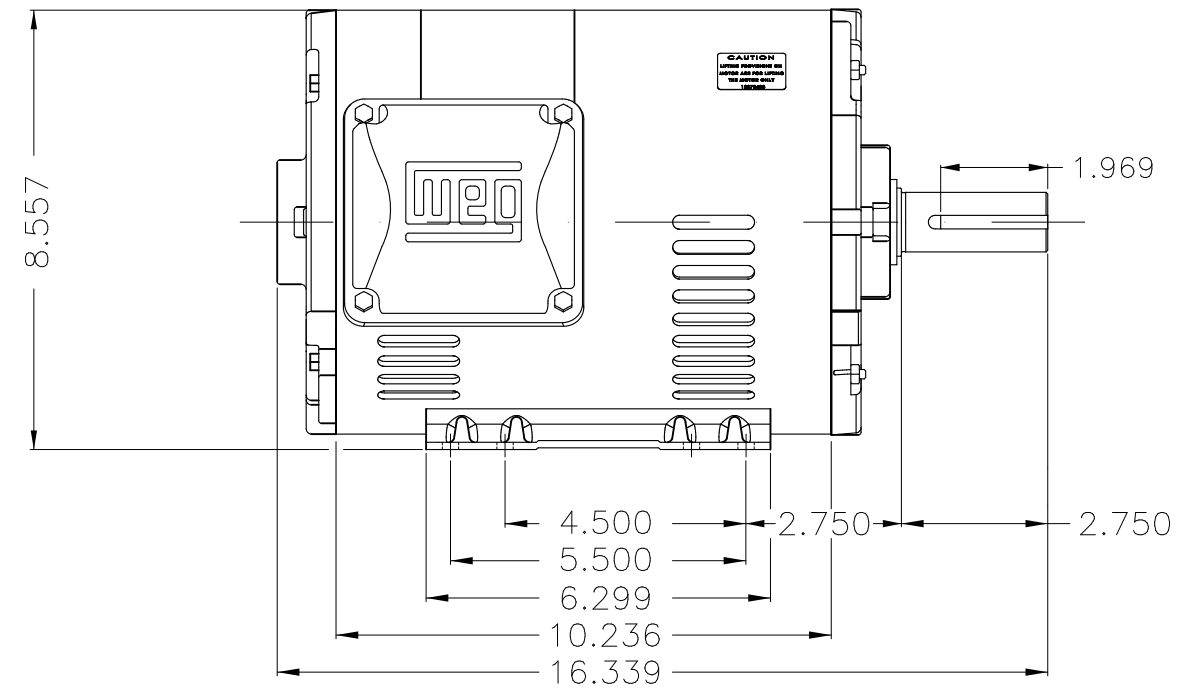
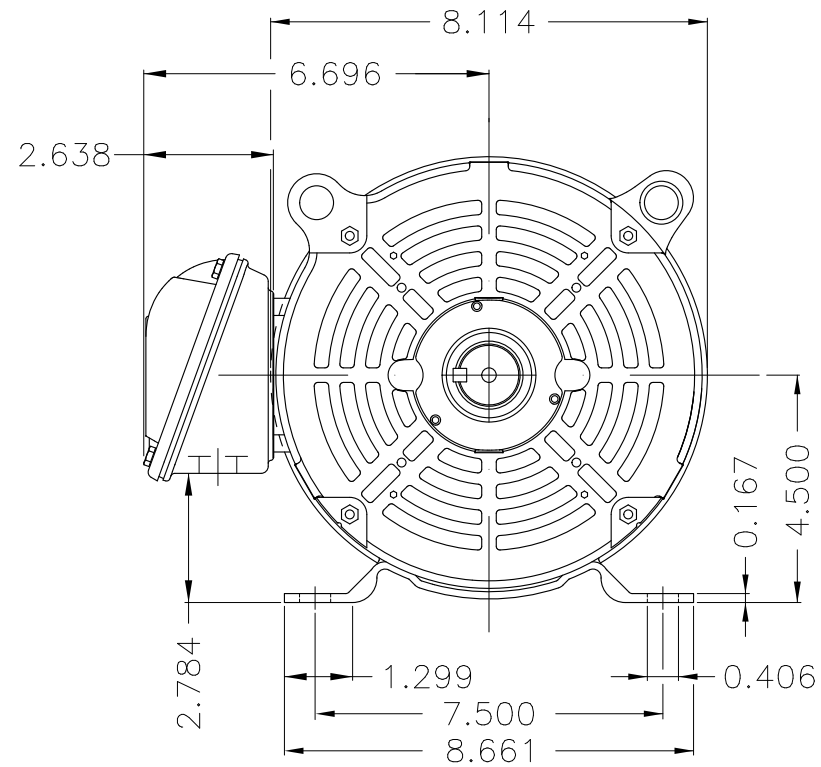
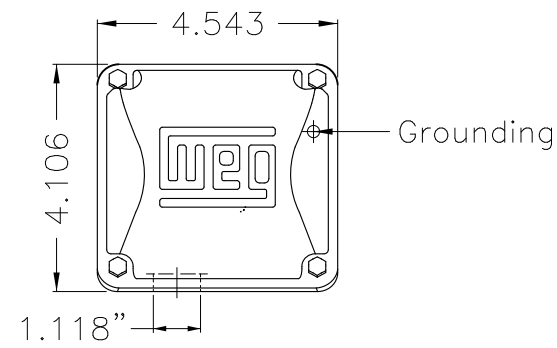
Rev.	Changes Summary	Performed	Checked	Date
Performed by			Page 16 / 16	Revision
Checked by				
Date	22/03/2021			

No reproduction of this drawing is allowed without written permission of WEG Motores

EIXO
 PADRÃO
 OPCIONAL
 ESPECIAL

Dimensões em polegada
 Dimensions in inches

THIS IS AN UPDATED REVISION, THE PREVIOUS ONE MUST BE DISREGARDED.



Color Munsell N 1 matte black
 Painting plan 207N
 Mounting F-1/B3R(D)

ECM	LOC	SUMMARY OF MODIFICATIONS	EXECUTED	CHECKED	RELEASED	DATE	VER
EXECUTED	USERADMIN	THREE P. MOTOR OPEN ROLLED STEEL NEMA PREM					
CHECKED		FRAME 182/4T ODP					
RELEASED		WEG code: 12630271					
REL DT	22.03.2021	WMO Jaragua do Sul	Product Engineering	SHEET	1 / 1		

5 HP 04 Poles 60Hz

A



ZME A3

**NEMA
Premium**

3PT9



Energy Verified

MADE IN MEXICO

MAT: 12630271 CC029A
W01.T00IC0X0N
MODEL 005180T3E184T-S
26MAR2021 S/N:

PH 3	Hz 60	HP 5.0
FR 182/4T		KW 3.7
DUTY CONT.		V 230/460
ALT 1000 m.a.s.l.		A 12.7/6.33
INS CL F AT 80K		SFA 14.6/7.28
AMB 40°C	DES B	SF 1.15
ENCL ODP	CODE J	PF 0.82
USABLE @ 208V 14.0A		RPM 1760
SF1.00		NEMA NOM. EFF 89.5%

ALTERNATE RATING: 5.0HP 50Hz 190-220/380-415V SF1.15
15.4-13.57.71-7.18A 1445RPM EFF 84.8% (IE1) IEC 60034-1

Inverter duty motor For 80Hz use on VPWM 1000:1 VT, 5:1 CT

DE 6206-ZZ ODE 6205-ZZ MOBIL POLYREX EM



T1-BLU T2-WHT
 T3-ORG T4-YEL
 T5-BLK T6-GRY
 T7-PNK T8-RED
 T9-BRK RED

INTERCHANGE ANY TWO LINE WIRES TO REVERSE THE ROTATION

WARNING: Motor must be grounded in accordance with local and national electrical codes to prevent serious electrical shocks. Disconnect power source before servicing unit.



AVERTISSEMENT: Le moteur doit être mis à la terre conformément aux codes électriques locaux et nationaux afin d'éviter tout choc électrique grave. Déconnectez l'alimentation avant l'entretien de la machine.

