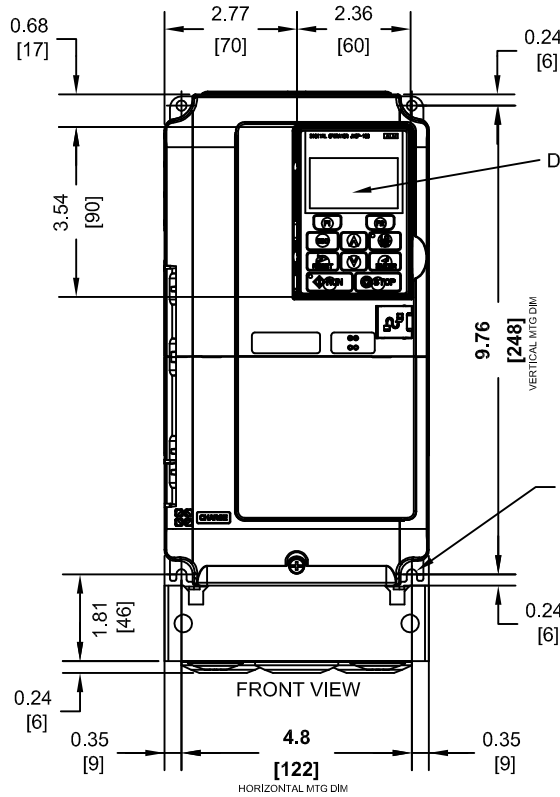


(1) EXTERNAL COOLING FAN

TOP PROTECTIVE COVER

NOTE:
 PROTECTIVE COVERS ARE FACTORY INSTALLED TO THE TOP AND BOTTOM OF THE DRIVE TO MEET IP20 & NEMA TYPE 1 REQUIREMENTS, RESULTING IN AN AMBIENT TEMPERATURE RATING OF 104F(40C). REMOVE THESE COVERS WHEN OPERATING THE DRIVE WITHIN A PANEL TO OBTAIN THE MAXIMUM SURROUNDING AIR TEMPERATURE RATING OF 122F(50C). REMOVING THESE COVERS RESULTS IN AN ENCLOSURE RATING OF IP00.

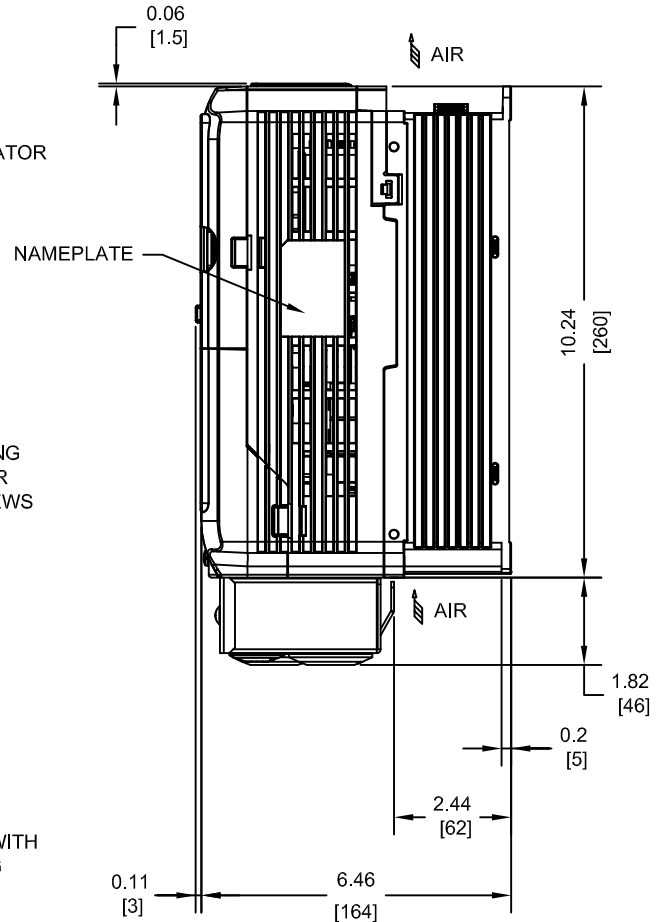


DIGITAL OPERATOR

(4)-MOUNTING HOLES FOR #10[M5] SCREWS

FRONT VIEW

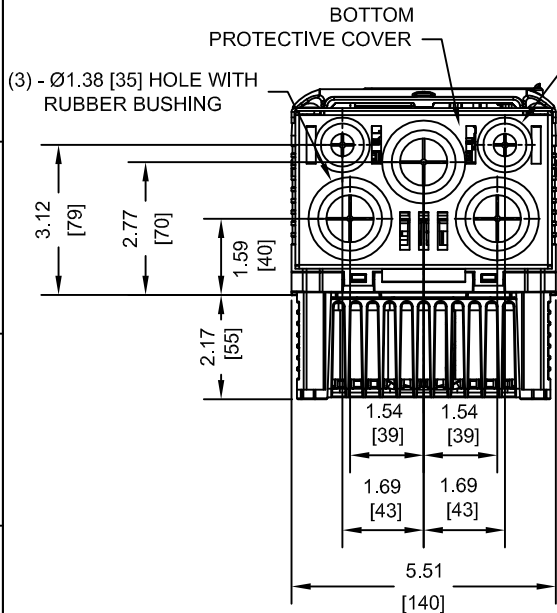
HORIZONTAL MTG DIM



AIR

NAMEPLATE

AIR



BOTTOM PROTECTIVE COVER

(3) - Ø1.38 [35] HOLE WITH RUBBER BUSHING

(2) - Ø0.87 [22] HOLE WITH RUBBER BUSHING

MODEL # CIMR-AU	VOLTAGE THREE-PHASE (VAC)	OUTPUT CURRENT (A)		WEIGHT LBS (Kg)	HEAT LOSS (W)					
		ND	HD		ND (Fc=2kHz)			HD (Fc=8kHz)		
					INT	EXT	TOT	INT	EXT	TOT
2A0018FXX	200/240	17.5	14.0	8.1 (3.7)	67.4	100.7	168.1	60.0	77.0	137.0
2A0021FXX		21.0	17.5	8.1 (3.7)	83.3	138.4	221.7	67.4	100.7	168.1
4A0007FXX		380/480	6.9	5.5	7.9 (3.6)	59.0	62.1	121.0	53.0	47.7
4A0009FXX	8.8		7.2	8.1 (3.7)	60.4	65.8	126.2	55.3	53.1	108.3
4A0011FXX	11.1		9.2	8.1 (3.7)	73.0	88.7	161.7	61.0	68.5	129.5
5A0006FXX	500/600	6.1	4.1	8.1 (3.7)	43.7	28.1	71.8	27.0	53.0	80.0
5A0009FXX		9.0	6.3	8.1 (3.7)	68.9	43.4	112.3	36.4	78.7	115.1

NOTE:
 XX DENOTES AA-ZZ

INT=INTERNAL COMPONENTS
 EXT=EXTERNAL HEATSINK
 TOT=TOTAL

FOR ADDITIONAL DETAILS AND SPECIFICATIONS, CONSULT MANUAL

TOLERANCES / REFERENCES:

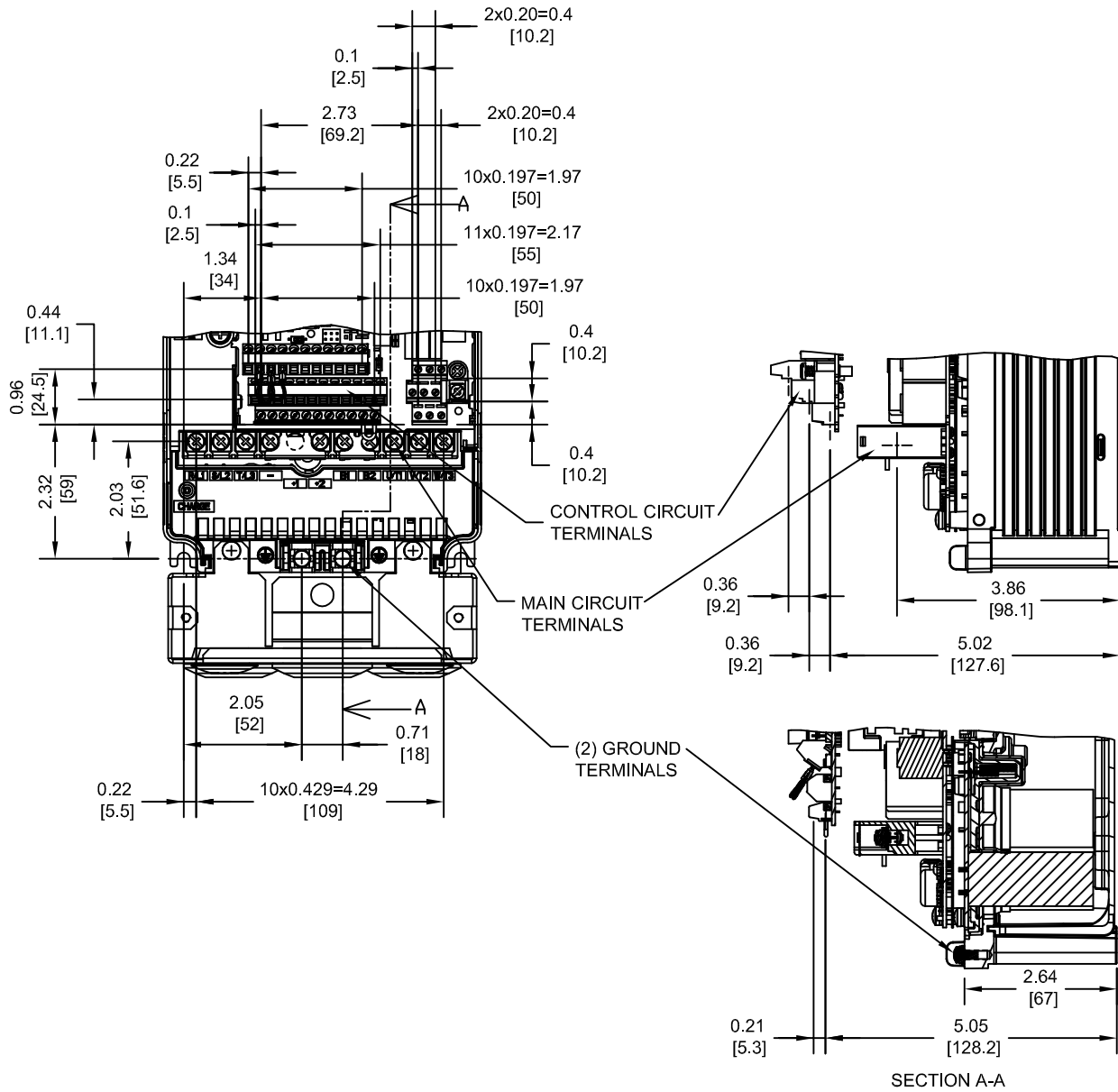


THIS DOCUMENT AND INFORMATION CONTAINED IN IT ARE CONFIDENTIAL, AND CANNOT BE COPIED OR DISCLOSED IN WHOLE OR IN PART WITHOUT THE EXPRESS WRITTEN CONSENT OF YASKAWA AMERICA, INC.

DRAWN: J. MATTAS	DATE 9-8-09	TITLE: A1000 DIMENSION DRAWING
CHECKED: J. PIOTROWSKI	DATE 3-8-10	FRAME SIZE 2
TECH: J. CAIRO	DATE 3-8-10	NEMA TYPE 1 ENCLOSURE
APPROVED: T. SASADA	DATE 3-8-10	2A00018 - 21, 4A0007 - 11, 5A0006 - 09
ORIGINAL DESIGN: -	DATE -	SIZE: A REVISION: R00 PAGE: 1 of 3
		DRAWING #: DD.A1K.FR2.N1

UNITS: IN [mm] SCALE: 1:4

TERMINAL AND WIRING DETAILS (SCALE 1:3)



TERMINAL AND WIRE SPECIFICATIONS FOR
MAIN CIRCUIT AND GROUND

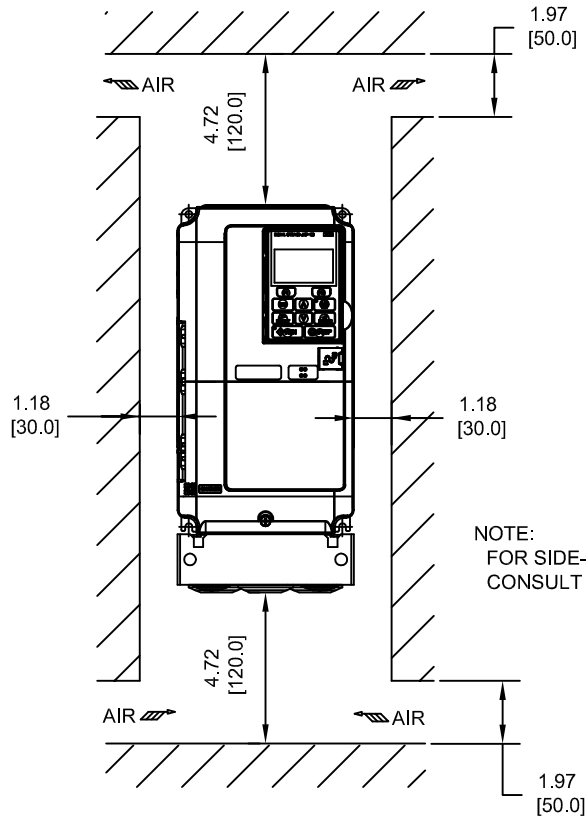
MODEL # CIMR-AU	TERMINAL SYMBOL	TERMINAL SCREW	CLAMPING TORQUE lb.in.(N.m.)	WIRE RANGE AWG(mm ²)
2A0018 2A0021 4A0007 4A0009 4A0011 5A0006 5A0009	R/L1, S/L2, T/L3, ⊖, ⊕1, ⊕2, B1, B2, U/T1, V/T2, W/T3, ⊕	M4	10.6 TO 13.2 (1.2 TO 1.5)	14-10 (2.5-6.0)

NOTE: REFER TO APPLICABLE CODES FOR PROPER WIRE TYPE AND SIZE

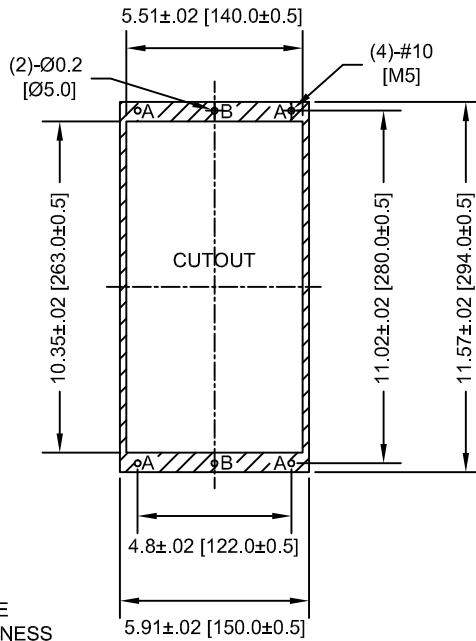
FOR ADDITIONAL DETAILS AND SPECIFICATIONS, CONSULT MANUAL

TOLERANCES / REFERENCES:			DRAWN: J. MATTAS DATE: 9-8-09	TITLE: A1000 DIMENSION DRAWING FRAME SIZE 2 NEMA TYPE 1 ENCLOSURE 2A00018 - 21, 4A0007 - 11, 5A0006 - 09	
			CHECKED: J. PIOTROWSKI DATE: 3-8-10	TECH: J. CAIRO DATE: 3-8-10	SIZE: A
		APPROVED: T. SASADA DATE: 3-8-10	ORIGINAL DESIGN: -	DATE: -	PAGE: 2 of 3
UNITS: IN [mm]	SCALE: BY VIEW	THIS DOCUMENT AND INFORMATION CONTAINED IN IT ARE CONFIDENTIAL, AND CANNOT BE COPIED OR DISCLOSED IN WHOLE OR IN PART WITHOUT THE EXPRESS WRITTEN CONSENT OF YASKAWA AMERICA, INC.		DRAWING #: DD.A1K.FR2.N1	

MINIMUM INSTALLATION CLEARANCES (SCALE 1:6)



PANEL CUTOUT FOR EXTERNAL HEATSINK MOUNTING CONFIGURATION (SCALE 1:6)



- NOTES:**
- EXTERNAL HEATSINK CONFIGURATION REQUIRES MOUNTING KIT
 - EXPOSED HEATSINK RECOMMENDED CLEARANCE D=2.36" MINUS PANEL THICKNESS

FOR ADDITIONAL DETAILS AND SPECIFICATIONS, CONSULT MANUAL

TOLERANCES / REFERENCES:			DRAWN: J. MATTAS DATE: 9-8-09	TITLE: A1000 DIMENSION DRAWING		
			CHECKED: J. PIOTROWSKI DATE: 3-8-10	FRAME SIZE 2 NEMA TYPE 1 ENCLOSURE		
		TECH: J. CAIRO DATE: 3-8-10	2A00018 - 21, 4A0007 - 11, 5A0006 - 09			
		APPROVED: T. SASADA DATE: 3-8-10	SIZE: A	REVISION: R00	PAGE: 3 of 3	
UNITS: IN [mm]	SCALE: BY VIEW	ORIGINAL DESIGN: -	DATE: -	DRAWING #: DD.A1K.FR2.N1		
THIS DOCUMENT AND INFORMATION CONTAINED IN IT ARE CONFIDENTIAL, AND CANNOT BE COPIED OR DISCLOSED IN WHOLE OR IN PART WITHOUT THE EXPRESS WRITTEN CONSENT OF YASKAWA AMERICA, INC.						