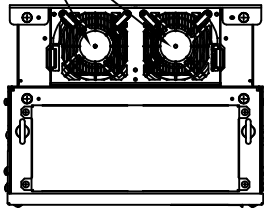
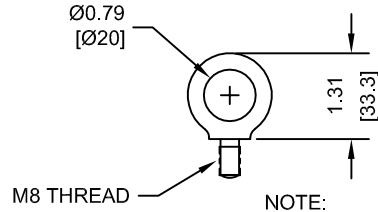


(2) EXTERNAL COOLING FANS

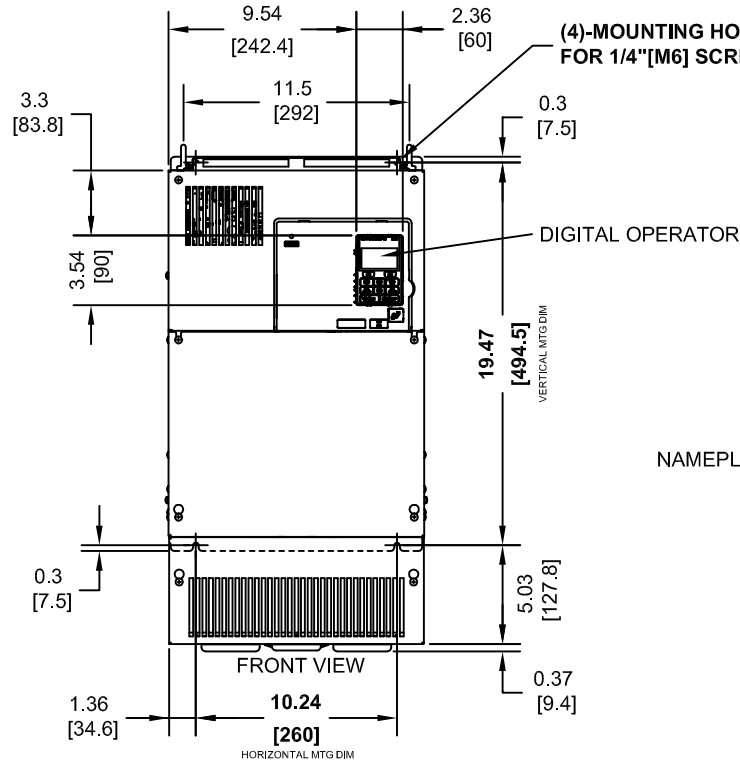


LIFTING AND EYEBOLT DETAILS

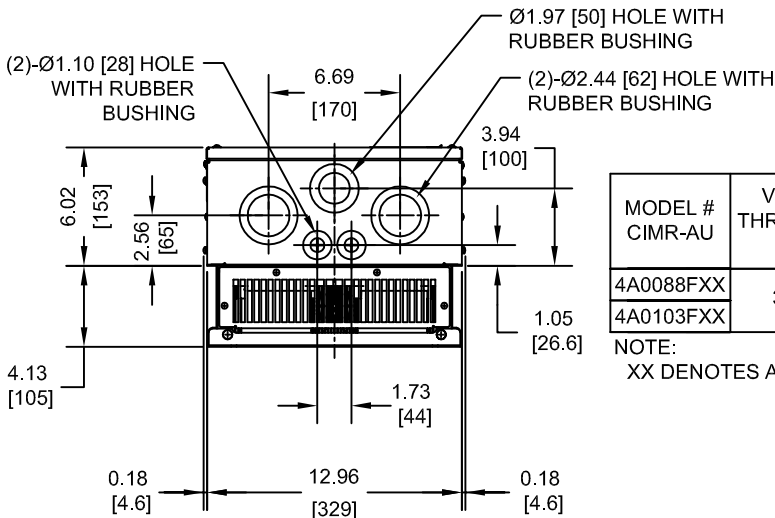
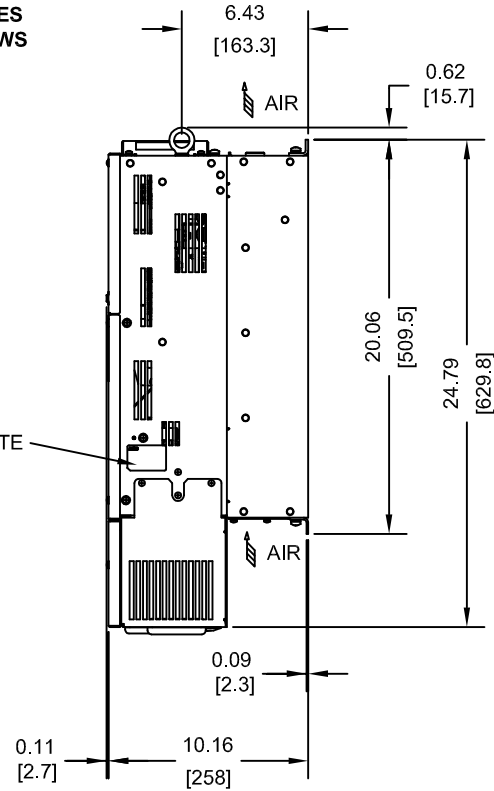


NOTE:
SPREADER BAR REQUIRED TO AVOID DAMAGE DURING LIFTING

(4)-MOUNTING HOLES FOR 1/4" [M6] SCREWS



NAMEPLATE



MODEL # CIMR-AU	VOLTAGE THREE-PHASE (VAC)	OUTPUT CURRENT (A)		WEIGHT LBS (Kg)	HEAT LOSS (W)					
		ND	HD		ND (Fc=2kHz)			HD (Fc=8kHz)		
					INT	EXT	TOT	INT	EXT	TOT
4A0088FXX	380/480	88	75	85.8 (39)	308	684	992	254	563	817
4A0103FXX		103	91	85.8 (39)	357	848	1205	299	723	1022

NOTE:
XX DENOTES AA-ZZ

INT=INTERNAL COMPONENTS
EXT=EXTERNAL HEATSINK
TOT=TOTAL

FOR ADDITIONAL DETAILS AND SPECIFICATIONS, CONSULT MANUAL

TOLERANCES / REFERENCES:



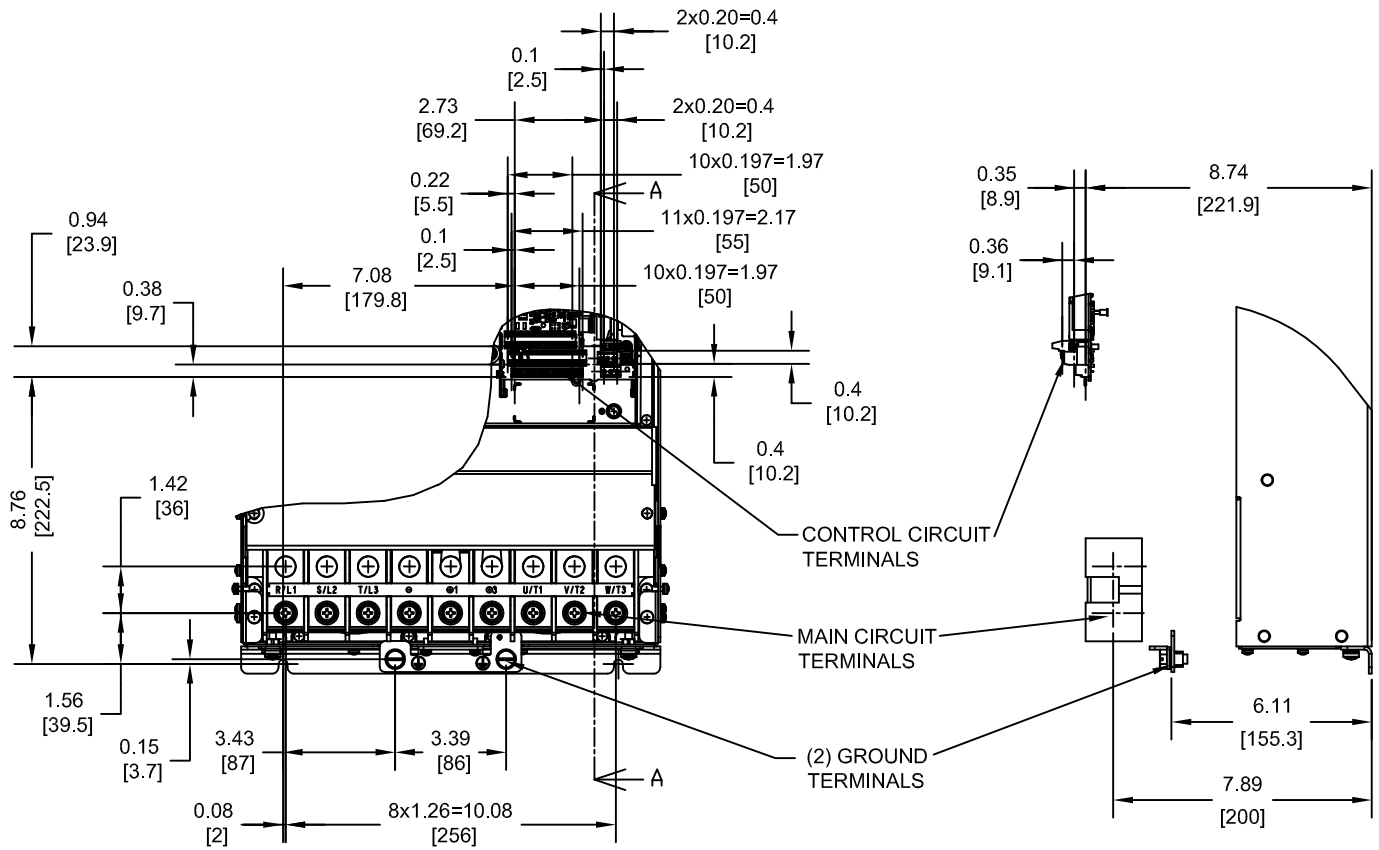
THIS DOCUMENT AND INFORMATION CONTAINED IN IT ARE CONFIDENTIAL, AND CANNOT BE COPIED OR DISCLOSED IN WHOLE OR IN PART WITHOUT THE EXPRESS WRITTEN CONSENT OF YASKAWA AMERICA, INC.

DRAWN: J. MATTAS	DATE 5-6-10
CHECKED: J. PIOTROWSKI	DATE 12-10-10
TECH: J. CAIRO	DATE 12-14-10
APPROVED: T. SASADA	DATE 12-17-10
ORIGINAL DESIGN: -	DATE -

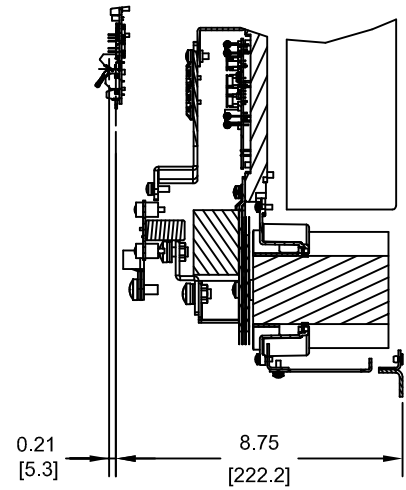
TITLE: A1000 DIMENSION DRAWING FRAME SIZE 9 NEMA TYPE 1 ENCLOSURE 4A0088 & 4A0103		
SIZE A	REVISION R00	PAGE 1 of 3
DRAWING #: DD.A1K.FR9.N1		

UNITS: IN [mm] SCALE: 1:10

TERMINAL AND WIRING DETAILS (SCALE 1:6)



TERMINAL AND WIRE SPECIFICATIONS FOR MAIN CIRCUIT AND GROUND



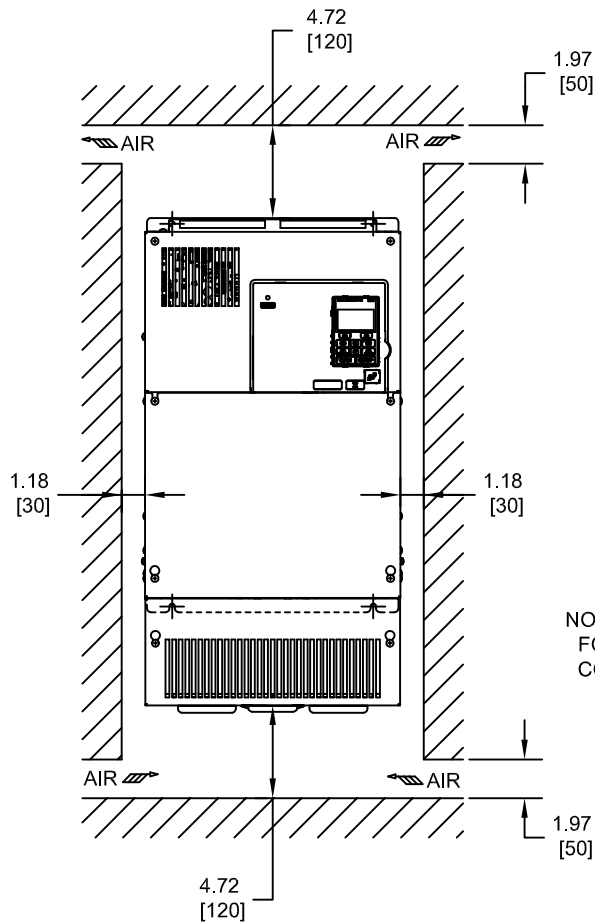
MODEL # CIMR-AU	TERMINAL SYMBOL	TERMINAL SCREW	CLAMPING TORQUE lb.in.(N.m.)	WIRE RANGE AWG(mm ²)
4A0088 4A0103	R/L1, S/L2, T/L3	M8	79.7 TO 97.4 (9 TO 11)	6-250kcmil (13.3-127)
	U/T1, V/T2, W/T3			
	⊖, ⊕1, ⊕3			
	B1, B2			
	⊕	M8	79.7 TO 97.4 (9 TO 11)	SEE NOTE

NOTE: REFER TO APPLICABLE CODES FOR PROPER WIRE TYPE AND SIZE

FOR ADDITIONAL DETAILS AND SPECIFICATIONS, CONSULT MANUAL

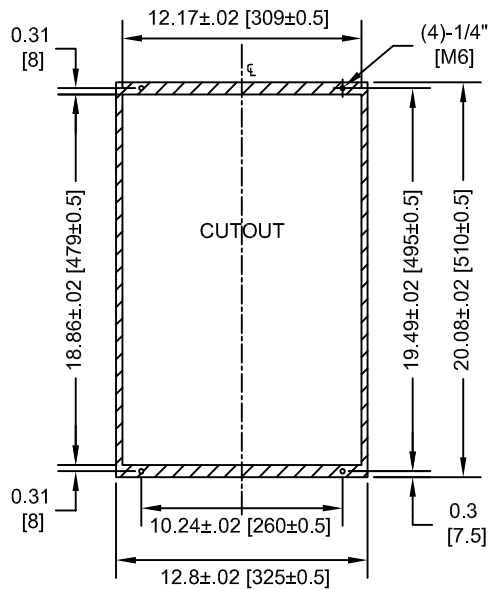
TOLERANCES / REFERENCES:			DRAWN: J. MATTAS DATE: 5-6-10	DATE: 5-6-10	TITLE: A1000 DIMENSION DRAWING FRAME SIZE 9 NEMA TYPE 1 ENCLOSURE 4A0088 & 4A0103			
UNITS: IN [mm] SCALE: BY VIEW			CHECKED: J. PIOTROWSKI DATE: 12-10-10	DATE: 12-10-10	TECH: J. CAIRO DATE: 12-14-10	DATE: 12-14-10	SIZE: A	REVISION: R00
THIS DOCUMENT AND INFORMATION CONTAINED IN IT ARE CONFIDENTIAL, AND CANNOT BE COPIED OR DISCLOSED IN WHOLE OR IN PART WITHOUT THE EXPRESS WRITTEN CONSENT OF YASKAWA AMERICA, INC.		APPROVED: T. SASADA DATE: 12-17-10	DATE: 12-17-10	ORIGINAL DESIGN: -	DATE: -	DRAWING #: DD.A1K.FR9.N1		

MINIMUM INSTALLATION CLEARANCES (SCALE 1:10)



NOTE:
FOR SIDE-BY-SIDE MOUNTING
CONSULT MANUAL

PANEL CUTOUT FOR EXTERNAL HEATSINK
MOUNTING CONFIGURATION (SCALE 1:10)



NOTE:
EXPOSED HEATSINK DEPTH
D=4.13" MINUS PANEL THICKNESS

FOR ADDITIONAL DETAILS AND SPECIFICATIONS, CONSULT MANUAL

TOLERANCES / REFERENCES:			DRAWN: J. MATTAS	DATE: 5-6-10	TITLE: A1000 DIMENSION DRAWING	
			CHECKED: J. PIOTROWSKI	DATE: 12-10-10	FRAME SIZE 9 NEMA TYPE 1 ENCLOSURE 4A0088 & 4A0103	
		THIS DOCUMENT AND INFORMATION CONTAINED IN IT ARE CONFIDENTIAL, AND CANNOT BE COPIED OR DISCLOSED IN WHOLE OR IN PART WITHOUT THE EXPRESS WRITTEN CONSENT OF YASKAWA AMERICA, INC.		TECH: J. CAIRO	DATE: 12-14-10	SIZE: A
UNITS: IN [mm]	SCALE: BY VIEW			APPROVED: T. SASADA	DATE: 12-17-10	REVISION: R00
				ORIGINAL DESIGN: -	DATE: -	PAGE: 3 of 3
				DRAWING #: DD.A1K.FR9.N1		