

# DATA SHEET

## Three Phase Induction Motor - Squirrel Cage



Customer :				
Product line	: Rolled Steel NEMA Premium Efficiency Three-Phase			
Product code :	12674979			
Catalog # :	01018OT3E215T-SG			
Frame	: 213/5T			
Insulation class	: F			
Duty cycle	: Cont.(S1)			
Ambient temperature	: -20°C to +40°C			
Altitude	: 1000 m.a.s.l.			
Design	: B			
Cooling method	: IC01 - ODP			
Mounting	: F-1			
Rotation <sup>1</sup>	: Both (CW and CCW)			
Starting method	: Direct On Line			
Approx. weight <sup>2</sup>	: 55.1 kg			
Moment of inertia (J)	: 0.0546 kgm <sup>2</sup>			
Output [HP]	10			
Poles	4			
Frequency [Hz]	60			
Rated voltage [V]	230/460			
Rated current [A]	24.8/12.4			
L. R. Amperes [A]	174/86.8			
LRC [A]	7.0x(Code H)			
No load current [A]	12.0/5.99			
Rated speed [RPM]	1770			
Slip [%]	1.67			
Rated torque [kgfm]	4.10			
Locked rotor torque [%]	250			
Breakdown torque [%]	350			
Service factor	1.15			
Temperature rise	80 K			
Locked rotor time	25s (cold) 14s (hot)			
Noise level <sup>2</sup>	59.0 dB(A)			
Efficiency (%)	25%	89.4		
	50%	90.2		
	75%	91.0		
	100%	91.7		
Power Factor	25%	0.38		
	50%	0.64		
	75%	0.77		
	100%	0.83		
Bearing type	: <u>Drive end</u> 6208 ZZ <u>Non drive end</u> 6206 ZZ			
Sealing	: Without Without			
	: Bearing Seal Bearing Seal			
Lubrication interval	: - -			
Lubricant amount	: - -			
Lubricant type	: Mobil Polyrex EM			
Foundation loads				
Max. traction	: 229 kgf			
Max. compression	: 284 kgf			
Notes				
USABLE @208V 27.4A SF 1.00 SFA 27.4A				
This revision replaces and cancel the previous one, which must be eliminated.				
(1) Looking the motor from the shaft end.				
(2) Measured at 1m and with tolerance of +3dB(A).				
(3) Approximate weight subject to changes after manufacturing process.				
(4) At 100% of full load.				
These are average values based on tests with sinusoidal power supply, subject to the tolerances stipulated in NEMA MG-1.				
Rev.	Changes Summary	Performed	Checked	Date
Performed by				
Checked by			Page	Revision
Date	22/03/2021		1 / 16	

# TORQUE AND CURRENT VS SPEED CURVE

## Three Phase Induction Motor - Squirrel Cage

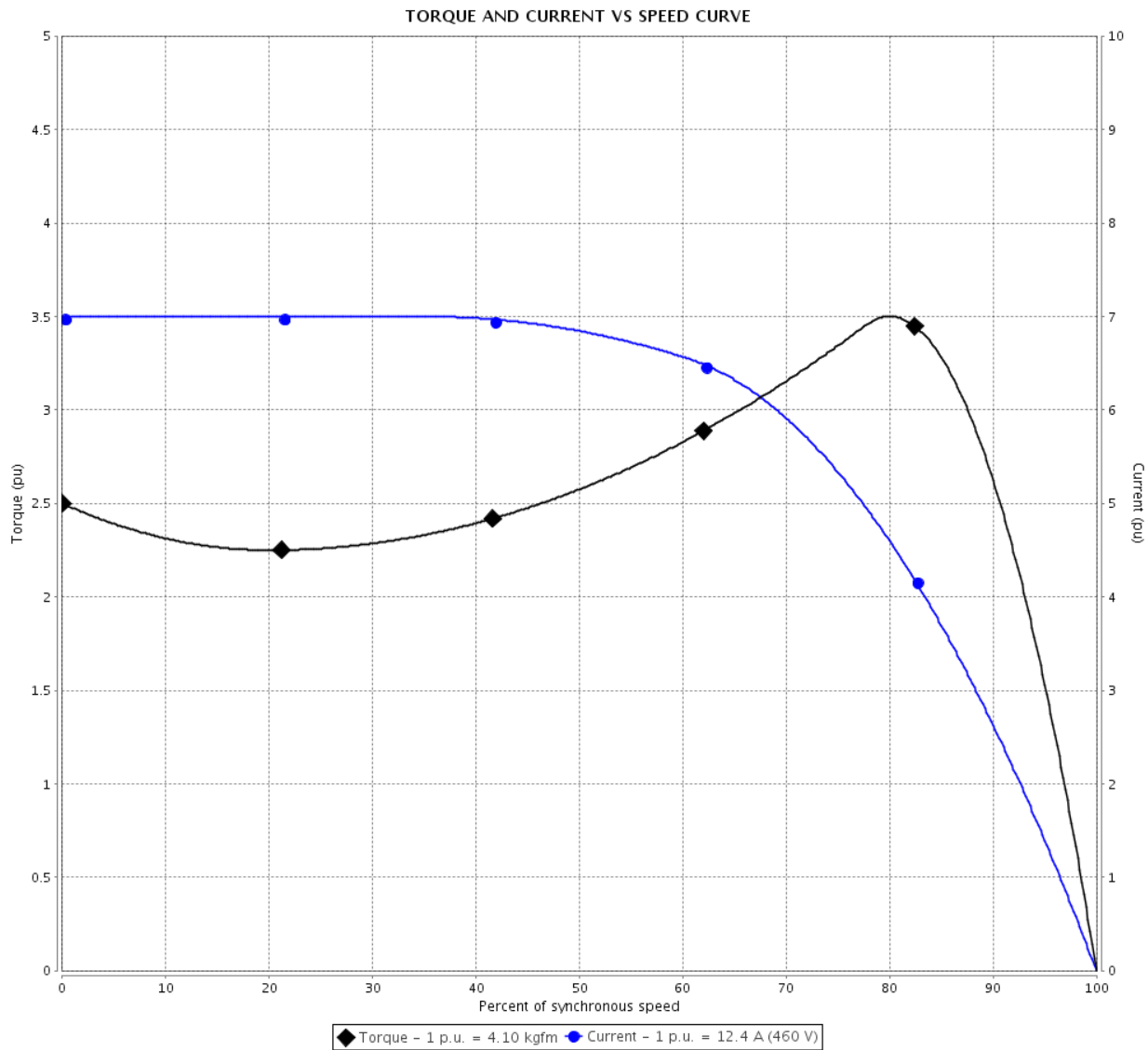


Customer :

Product line : Rolled Steel NEMA Premium Efficiency Three-Phase

Product code : 12674979

Catalog # : 01018OT3E215T-SG



Performance : 230/460 V 60 Hz 4P

Rated current : 24.8/12.4 A  
 LRC : 7.0  
 Rated torque : 4.10 kgfm  
 Locked rotor torque : 250 %  
 Breakdown torque : 350 %  
 Rated speed : 1770 rpm

Moment of inertia (J) : 0.0546 kgm<sup>2</sup>  
 Duty cycle : Cont.(S1)  
 Insulation class : F  
 Service factor : 1.15  
 Temperature rise : 80 K  
 Design : B

Locked rotor time : 25s (cold) 14s (hot)

Rev.	Changes Summary	Performed	Checked	Date
Performed by			Page 2 / 16	Revision
Checked by				
Date	22/03/2021			

# TORQUE AND CURRENT VS SPEED CURVE



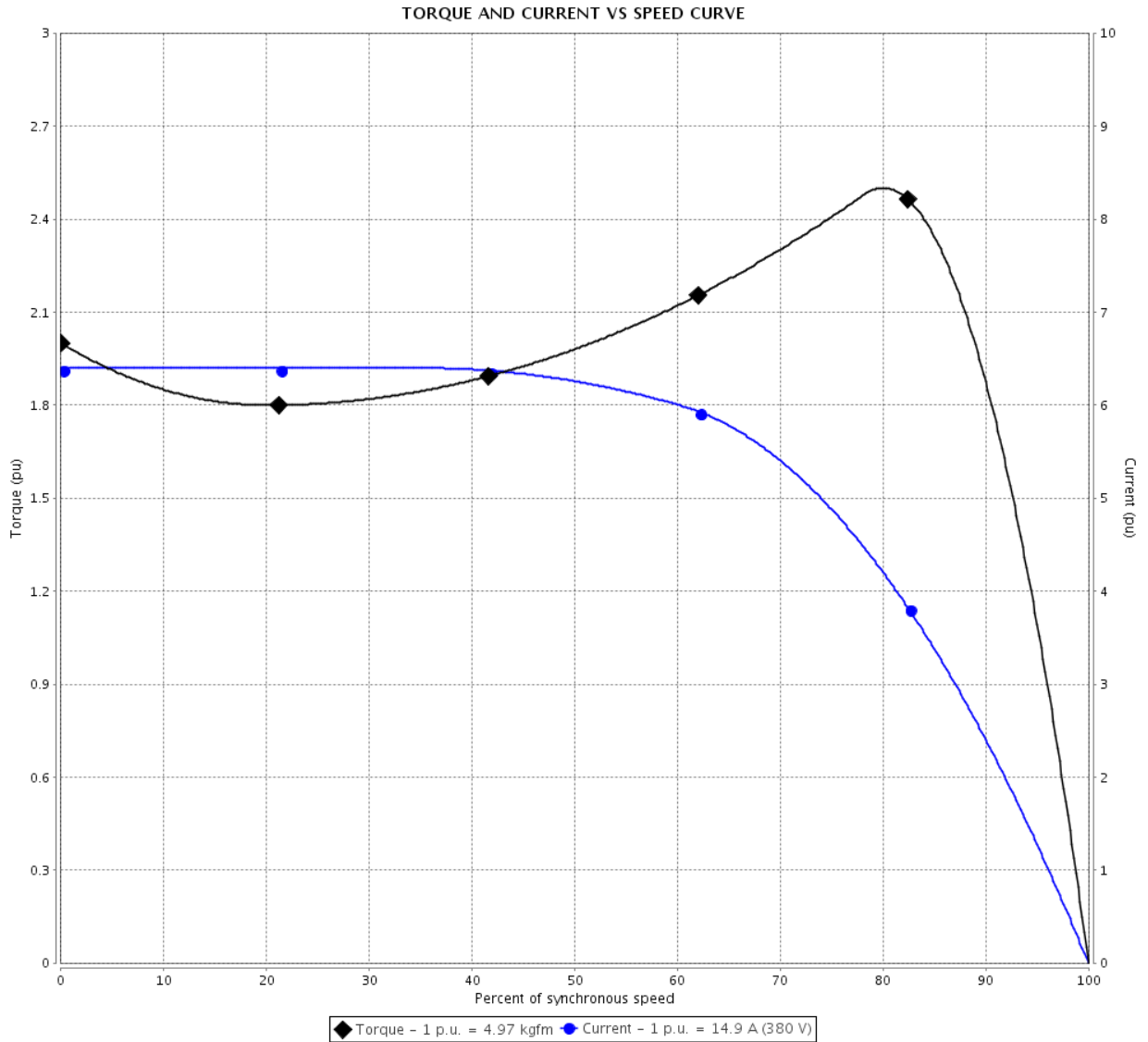
## Three Phase Induction Motor - Squirrel Cage

Customer :

Product line : Rolled Steel NEMA Premium Efficiency Three-Phase

Product code : 12674979

Catalog # : 01018OT3E215T-SG



Performance : 190/380 V 50 Hz 4P

Rated current : 29.8/14.9 A  
 LRC : 6.4  
 Rated torque : 4.97 kgfm  
 Locked rotor torque : 200 %  
 Breakdown torque : 250 %  
 Rated speed : 1460 rpm

Moment of inertia (J) : 0.0546 kgm<sup>2</sup>  
 Duty cycle : Cont.(S1)  
 Insulation class : F  
 Service factor : 1.15  
 Temperature rise : 80 K  
 Design : B

Locked rotor time : 0s (cold) 0s (hot)

Rev.	Changes Summary	Performed	Checked	Date
Performed by			Page 3 / 16	Revision
Checked by				
Date	22/03/2021			

# TORQUE AND CURRENT VS SPEED CURVE

Three Phase Induction Motor - Squirrel Cage

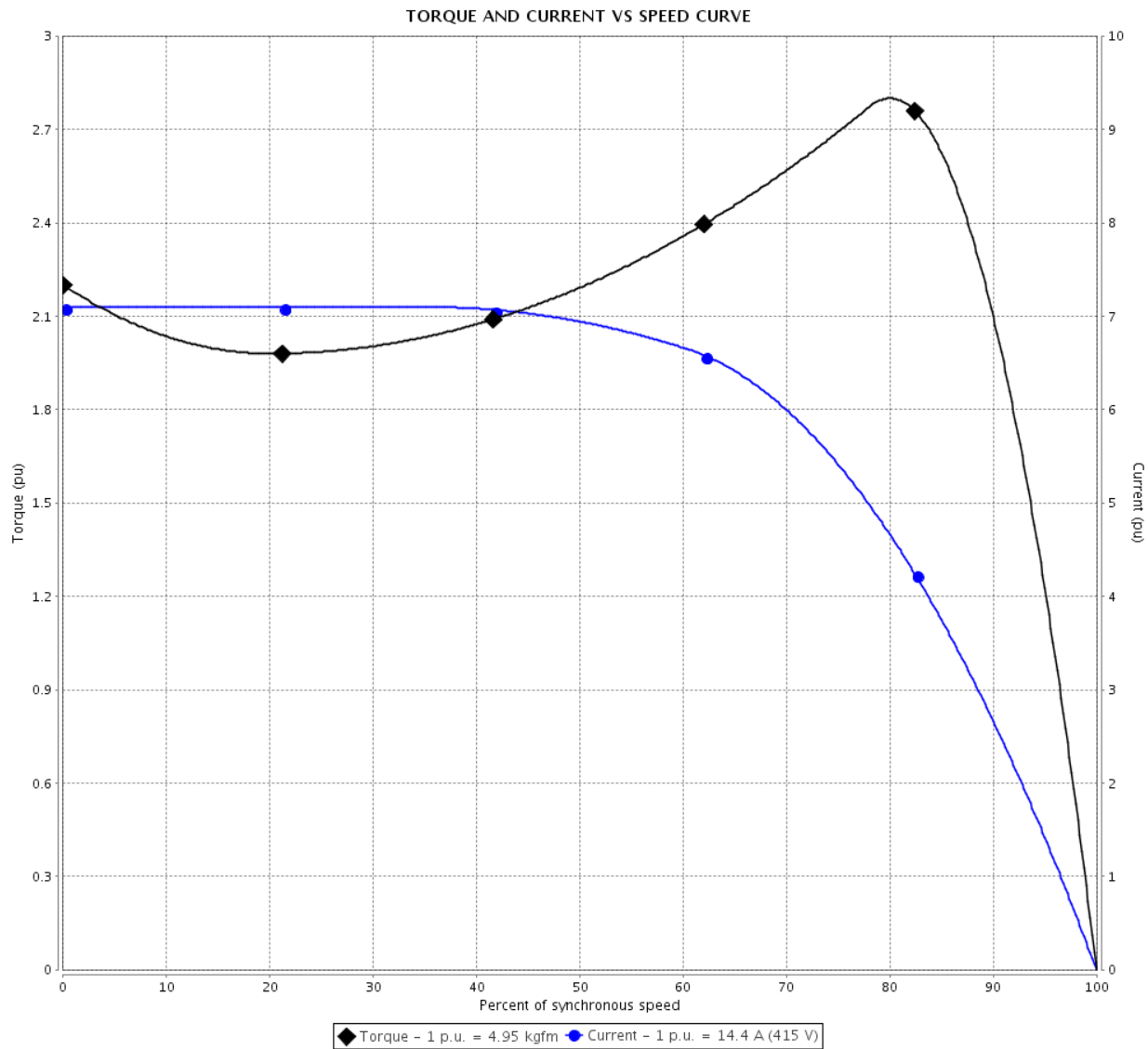


Customer :

Product line : Rolled Steel NEMA Premium Efficiency Three-Phase

Product code : 12674979

Catalog # : 01018OT3E215T-SG



Performance : 220/415 V 50 Hz 4P

Rated current	: 27.2/14.4 A	Moment of inertia (J)	: 0.0546 kgm <sup>2</sup>
LRC	: 7.1	Duty cycle	: Cont.(S1)
Rated torque	: 4.95 kgfm	Insulation class	: F
Locked rotor torque	: 220 %	Service factor	: 1.15
Breakdown torque	: 280 %	Temperature rise	: 80 K
Rated speed	: 1465 rpm	Design	: B

Locked rotor time : 0s (cold) 0s (hot)

Rev.	Changes Summary	Performed	Checked	Date
Performed by			Page 4 / 16	Revision
Checked by				
Date	22/03/2021			

# LOAD PERFORMANCE CURVE

## Three Phase Induction Motor - Squirrel Cage

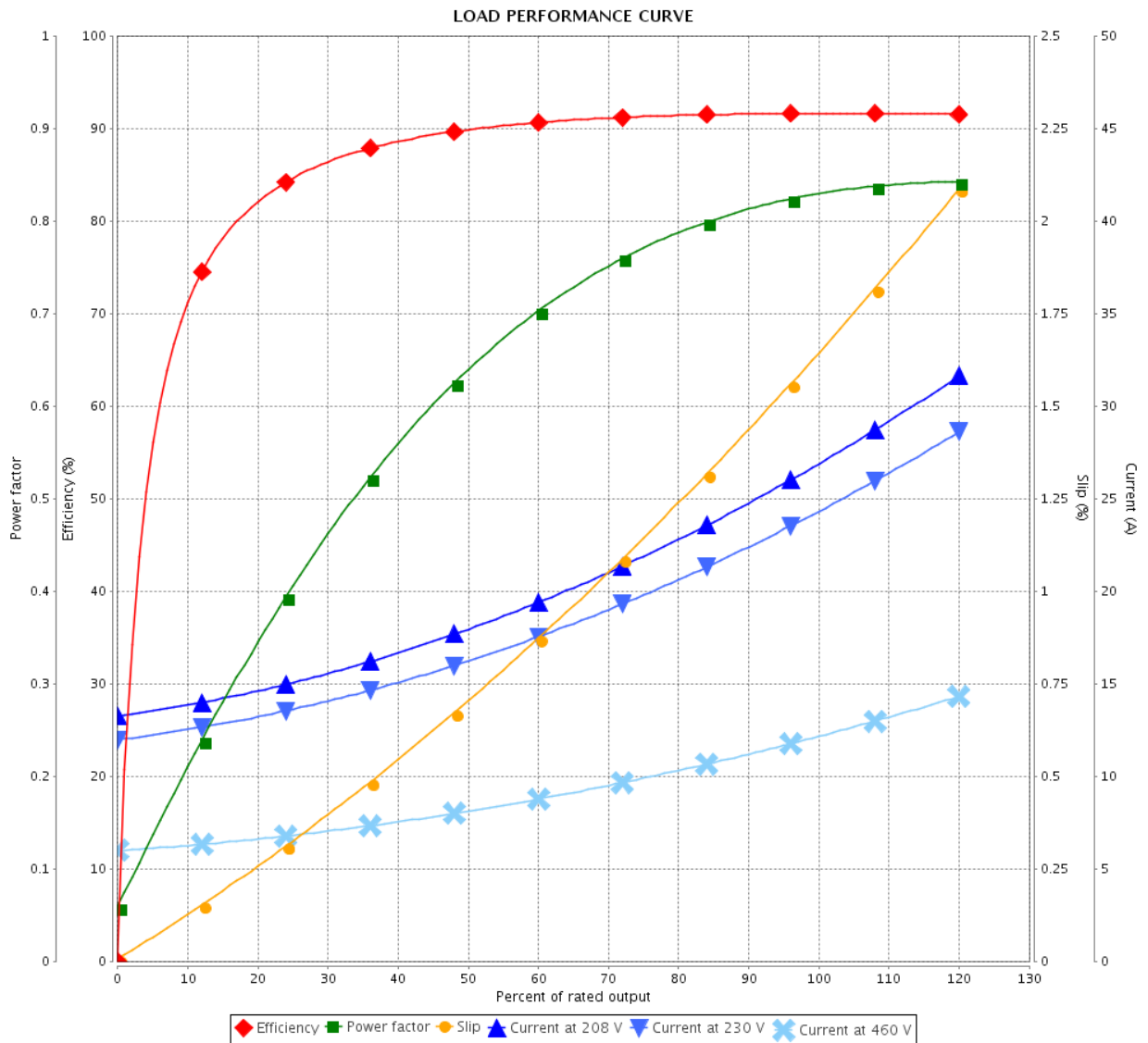


Customer : \_\_\_\_\_

Product line : Rolled Steel NEMA Premium  
Efficiency Three-Phase

Product code : 12674979

Catalog # : 01018OT3E215T-SG



Performance : 230/460 V 60 Hz 4P

Rated current : 24.8/12.4 A  
 LRC : 7.0  
 Rated torque : 4.10 kgfm  
 Locked rotor torque : 250 %  
 Breakdown torque : 350 %  
 Rated speed : 1770 rpm

Moment of inertia (J) : 0.0546 kgm<sup>2</sup>  
 Duty cycle : Cont.(S1)  
 Insulation class : F  
 Service factor : 1.15  
 Temperature rise : 80 K  
 Design : B

Rev.	Changes Summary	Performed	Checked	Date
Performed by		Page		Revision
Checked by		5 / 16		
Date		22/03/2021		

# LOAD PERFORMANCE CURVE

Three Phase Induction Motor - Squirrel Cage

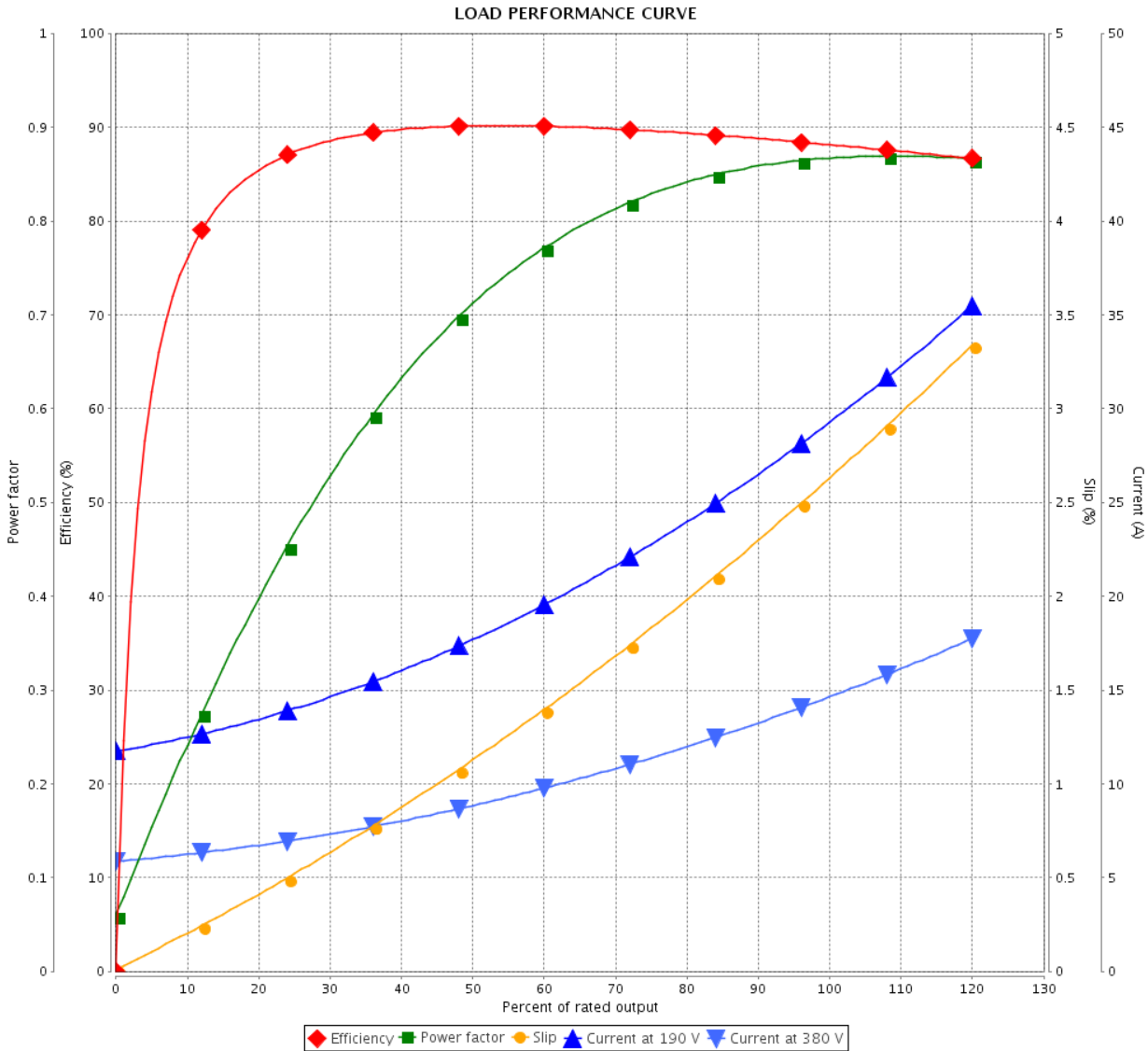


Customer :

Product line : Rolled Steel NEMA Premium Efficiency Three-Phase

Product code : 12674979

Catalog # : 01018OT3E215T-SG



Performance : 190/380 V 50 Hz 4P

Rated current : 29.8/14.9 A  
 LRC : 6.4  
 Rated torque : 4.97 kgfm  
 Locked rotor torque : 200 %  
 Breakdown torque : 250 %  
 Rated speed : 1460 rpm

Moment of inertia (J) : 0.0546 kgm<sup>2</sup>  
 Duty cycle : Cont.(S1)  
 Insulation class : F  
 Service factor : 1.15  
 Temperature rise : 80 K  
 Design : B

Rev.	Changes Summary	Performed	Checked	Date
Performed by		Page		Revision
Checked by		6 / 16		
Date	22/03/2021			

# LOAD PERFORMANCE CURVE

## Three Phase Induction Motor - Squirrel Cage

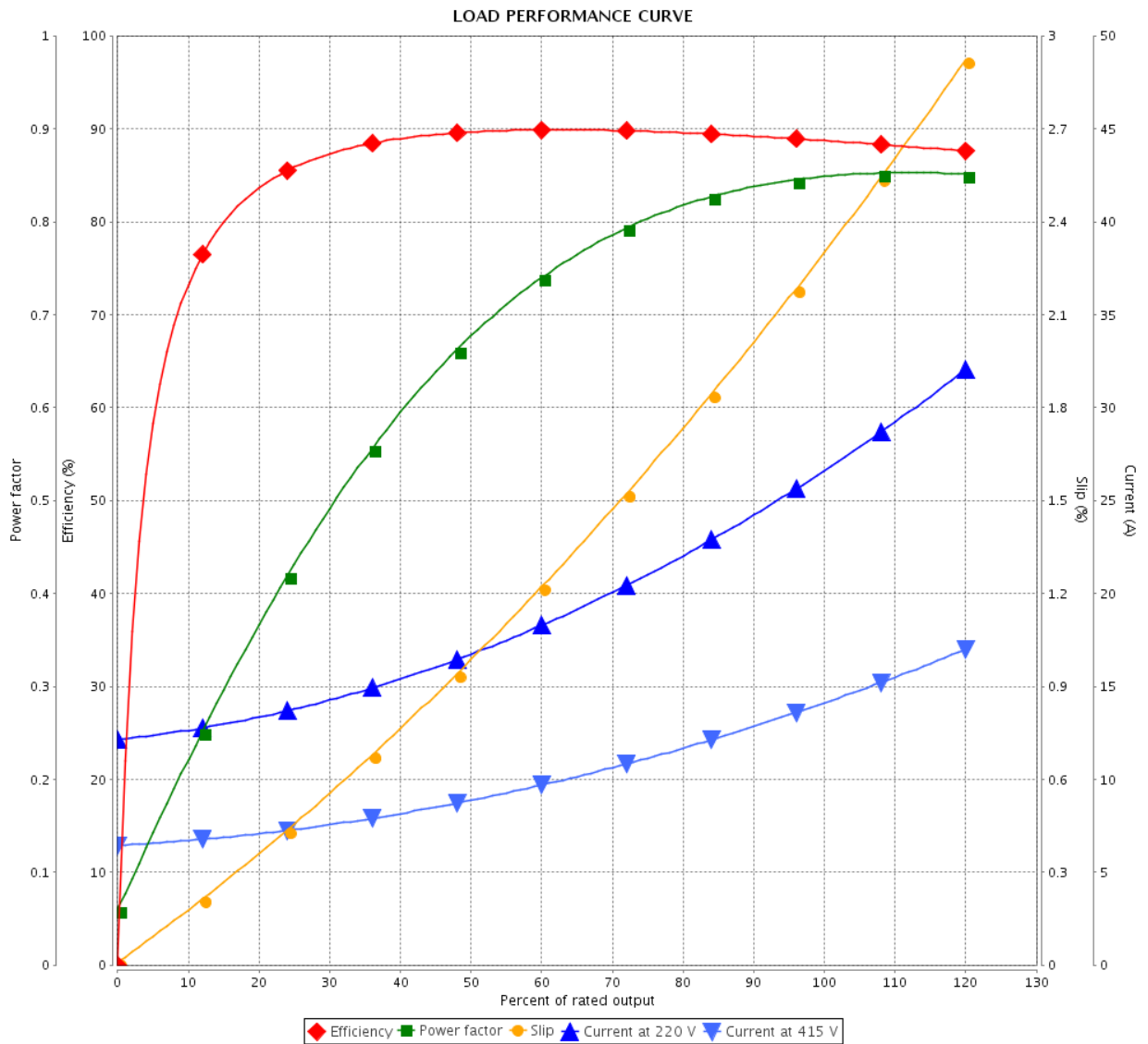


Customer :

Product line : Rolled Steel NEMA Premium Efficiency Three-Phase

Product code : 12674979

Catalog # : 01018OT3E215T-SG



Performance : 220/415 V 50 Hz 4P

Rated current : 27.2/14.4 A  
 LRC : 7.1  
 Rated torque : 4.95 kgfm  
 Locked rotor torque : 220 %  
 Breakdown torque : 280 %  
 Rated speed : 1465 rpm

Moment of inertia (J) : 0.0546 kgm<sup>2</sup>  
 Duty cycle : Cont.(S1)  
 Insulation class : F  
 Service factor : 1.15  
 Temperature rise : 80 K  
 Design : B

Rev.	Changes Summary	Performed	Checked	Date
Performed by		Page		Revision
Checked by		7 / 16		
Date		22/03/2021		

# THERMAL LIMIT CURVE



## Three Phase Induction Motor - Squirrel Cage

Customer :

Product line : Rolled Steel NEMA Premium  
Efficiency Three-Phase

Product code : 12674979

Catalog # : 01018OT3E215T-SG

Performance : 230/460 V 60 Hz 4P

Rated current : 24.8/12.4 A  
LRC : 7.0  
Rated torque : 4.10 kgfm  
Locked rotor torque : 250 %  
Breakdown torque : 350 %  
Rated speed : 1770 rpm

Moment of inertia (J) : 0.0546 kgm<sup>2</sup>  
Duty cycle : Cont.(S1)  
Insulation class : F  
Service factor : 1.15  
Temperature rise : 80 K  
Design : B

Heating constant

Cooling constant

Rev.	Changes Summary	Performed	Checked	Date
Performed by				
Checked by			Page	Revision
Date	22/03/2021		8 / 16	

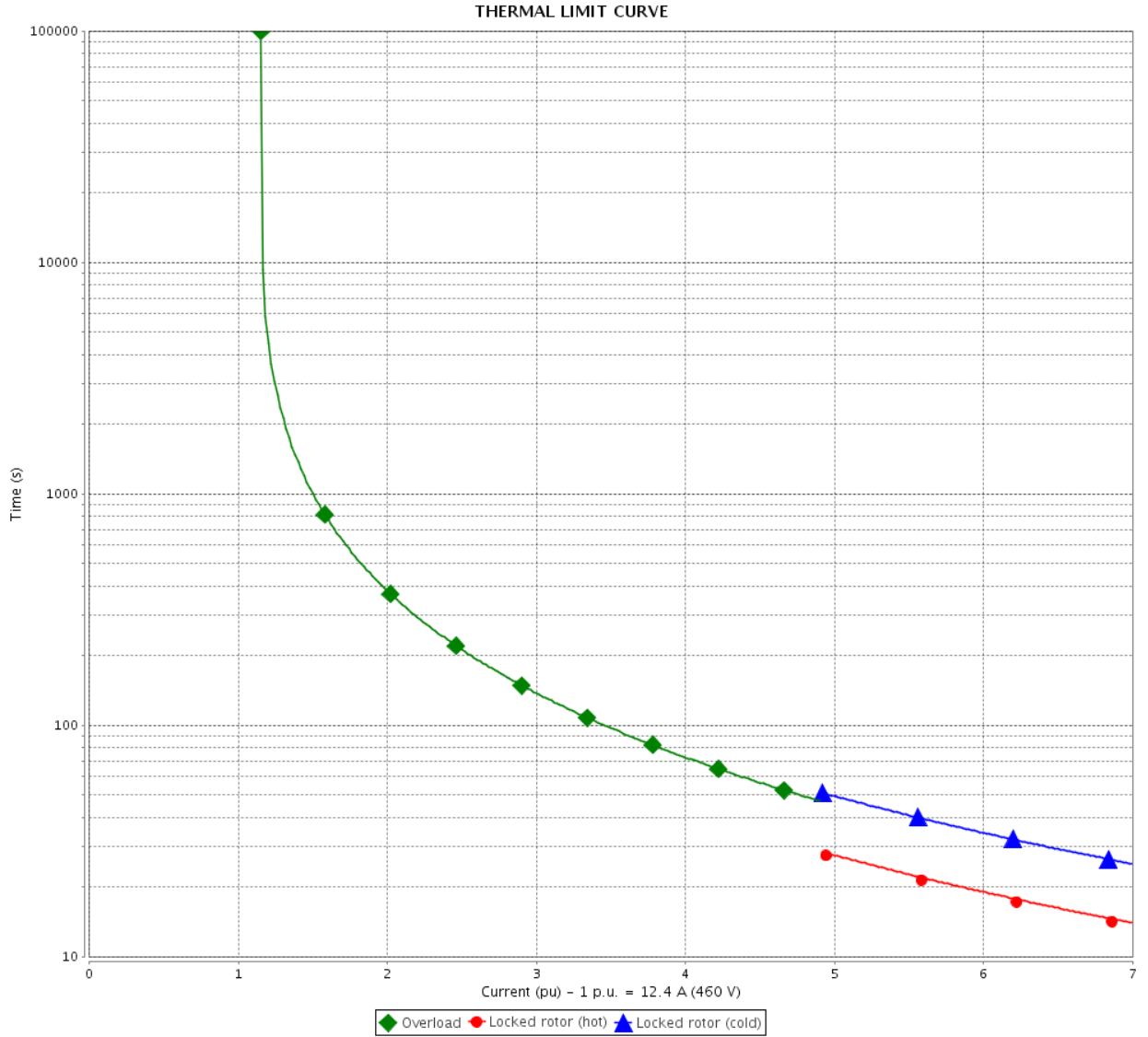


# THERMAL LIMIT CURVE

Three Phase Induction Motor - Squirrel Cage



Customer : \_\_\_\_\_



Rev.	Changes Summary	Performed	Checked	Date
Performed by		Page		Revision
Checked by		9 / 16		
Date		22/03/2021		

# THERMAL LIMIT CURVE

## Three Phase Induction Motor - Squirrel Cage



Customer :

Product line : Rolled Steel NEMA Premium  
Efficiency Three-Phase

Product code : 12674979

Catalog # : 01018OT3E215T-SG

Performance : 190/380 V 50 Hz 4P

Rated current : 29.8/14.9 A  
LRC : 6.4  
Rated torque : 4.97 kgfm  
Locked rotor torque : 200 %  
Breakdown torque : 250 %  
Rated speed : 1460 rpm

Moment of inertia (J) : 0.0546 kgm<sup>2</sup>  
Duty cycle : Cont.(S1)  
Insulation class : F  
Service factor : 1.15  
Temperature rise : 80 K  
Design : B

Heating constant

Cooling constant

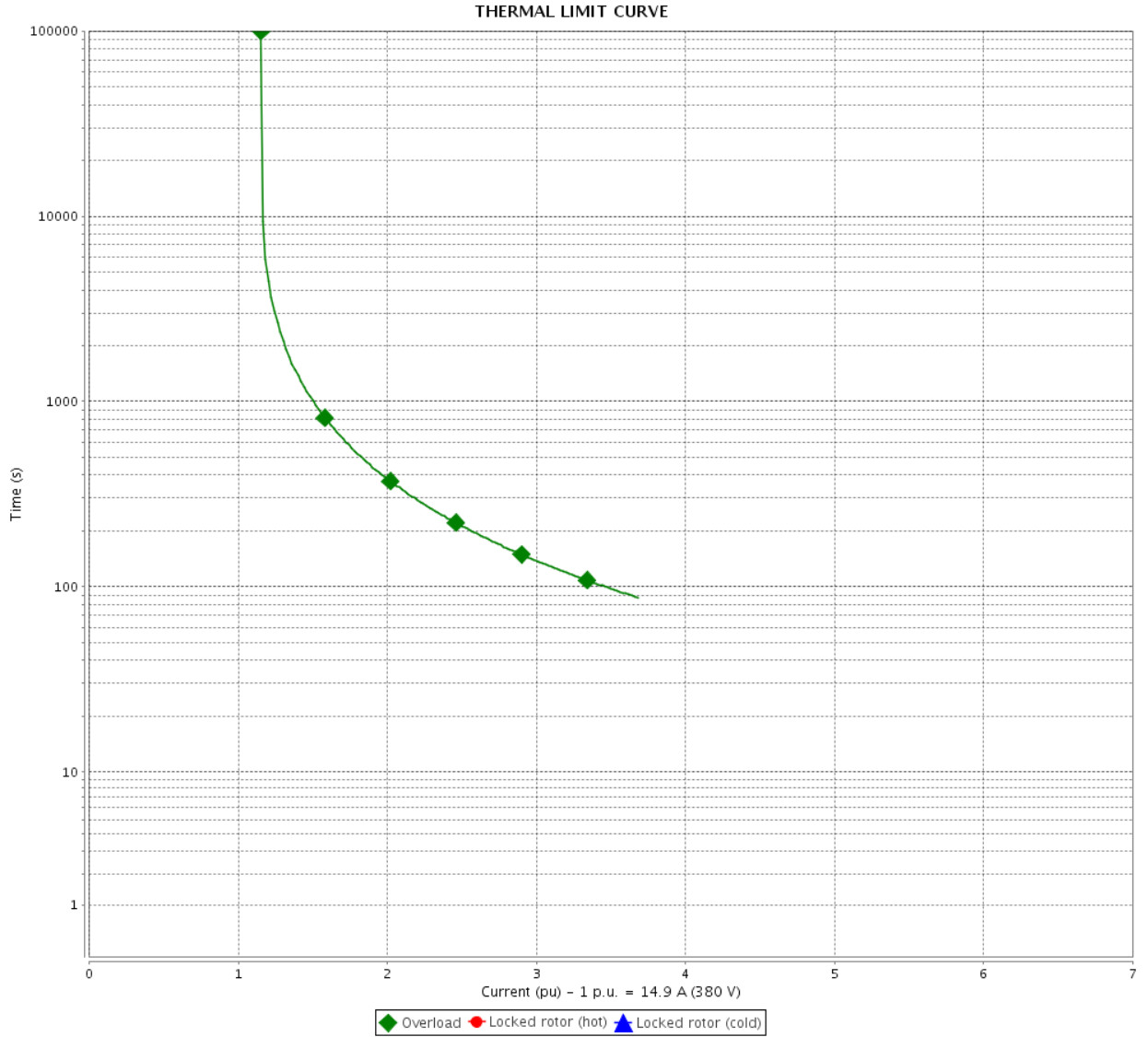
Rev.	Changes Summary	Performed	Checked	Date
Performed by				
Checked by			Page	Revision
Date	22/03/2021		10 / 16	

# THERMAL LIMIT CURVE

Three Phase Induction Motor - Squirrel Cage



Customer : \_\_\_\_\_



Rev.	Changes Summary	Performed	Checked	Date
Performed by		Page		Revision
Checked by		11 / 16		
Date		22/03/2021		

# THERMAL LIMIT CURVE



## Three Phase Induction Motor - Squirrel Cage

Customer :

Product line : Rolled Steel NEMA Premium  
Efficiency Three-Phase

Product code : 12674979

Catalog # : 01018OT3E215T-SG

Performance : 220/415 V 50 Hz 4P

Rated current : 27.2/14.4 A  
LRC : 7.1  
Rated torque : 4.95 kgfm  
Locked rotor torque : 220 %  
Breakdown torque : 280 %  
Rated speed : 1465 rpm

Moment of inertia (J) : 0.0546 kgm<sup>2</sup>  
Duty cycle : Cont.(S1)  
Insulation class : F  
Service factor : 1.15  
Temperature rise : 80 K  
Design : B

Heating constant

Cooling constant

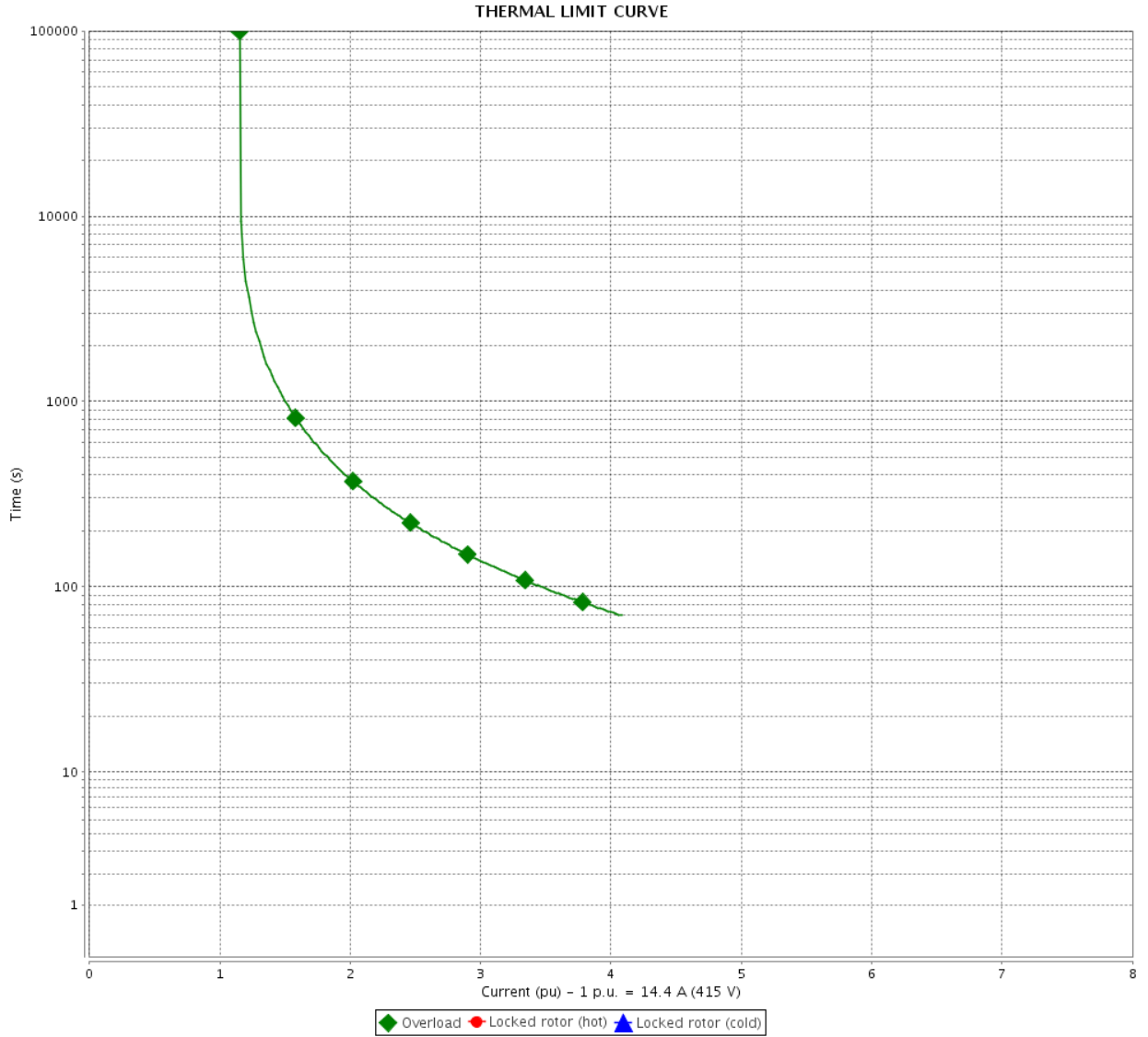
Rev.	Changes Summary	Performed	Checked	Date
Performed by				
Checked by			Page	Revision
Date	22/03/2021		12 / 16	

# THERMAL LIMIT CURVE

Three Phase Induction Motor - Squirrel Cage



Customer : \_\_\_\_\_



Rev.	Changes Summary	Performed	Checked	Date
Performed by		Page		Revision
Checked by		13 / 16		
Date		22/03/2021		

# VFD OPERATION CURVE

Three Phase Induction Motor - Squirrel Cage

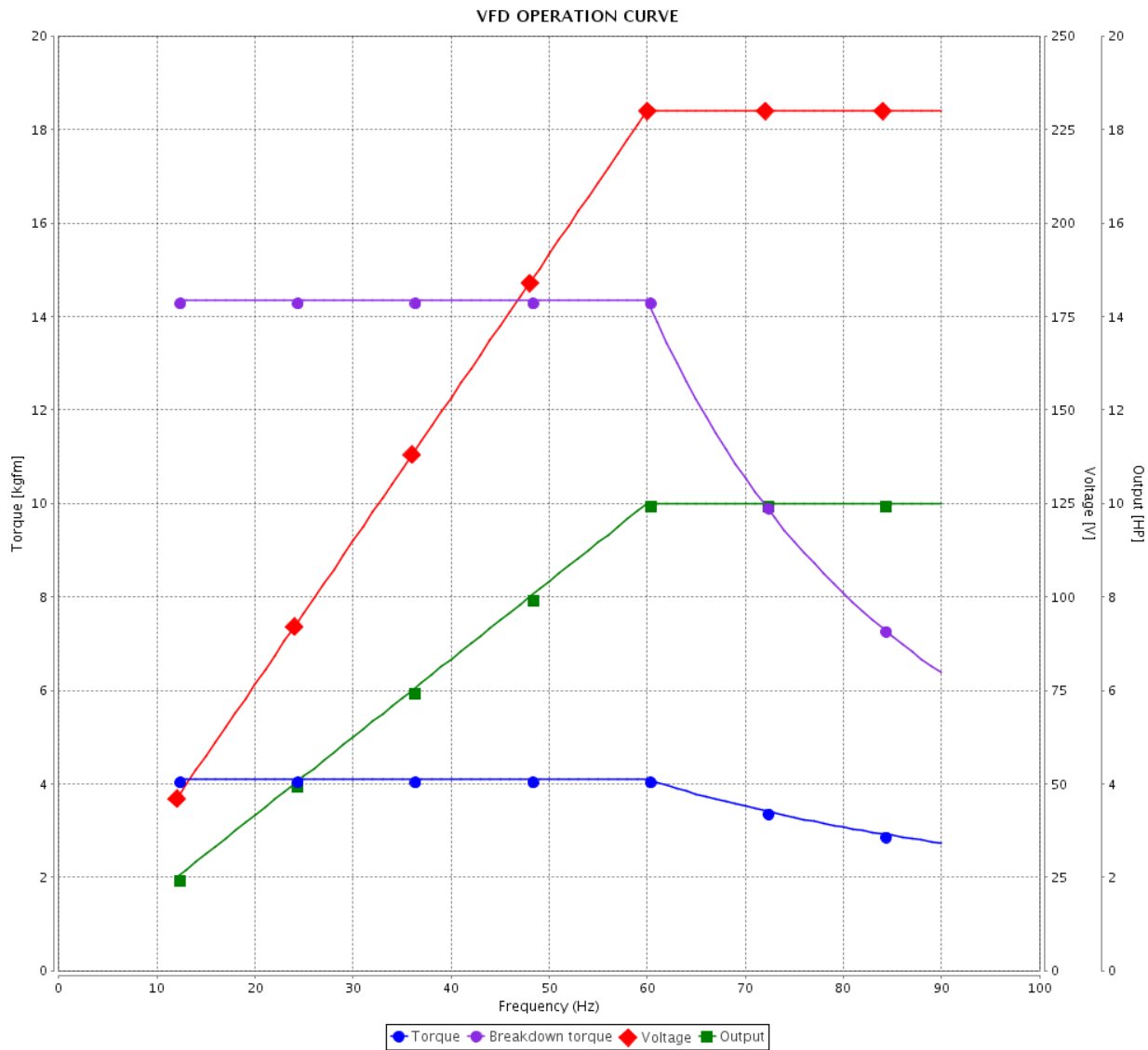


Customer :

Product line : Rolled Steel NEMA Premium Efficiency Three-Phase

Product code : 12674979

Catalog # : 01018OT3E215T-SG



Performance : 230/460 V 60 Hz 4P

Rated current : 24.8/12.4 A  
 LRC : 7.0  
 Rated torque : 4.10 kgfm  
 Locked rotor torque : 250 %  
 Breakdown torque : 350 %  
 Rated speed : 1770 rpm

Moment of inertia (J) : 0.0546 kgm<sup>2</sup>  
 Duty cycle : Cont.(S1)  
 Insulation class : F  
 Service factor : 1.15  
 Temperature rise : 80 K  
 Design : B

Rev.	Changes Summary	Performed	Checked	Date
Performed by			Page 14 / 16	Revision
Checked by				
Date	22/03/2021			

# VFD OPERATION CURVE

Three Phase Induction Motor - Squirrel Cage

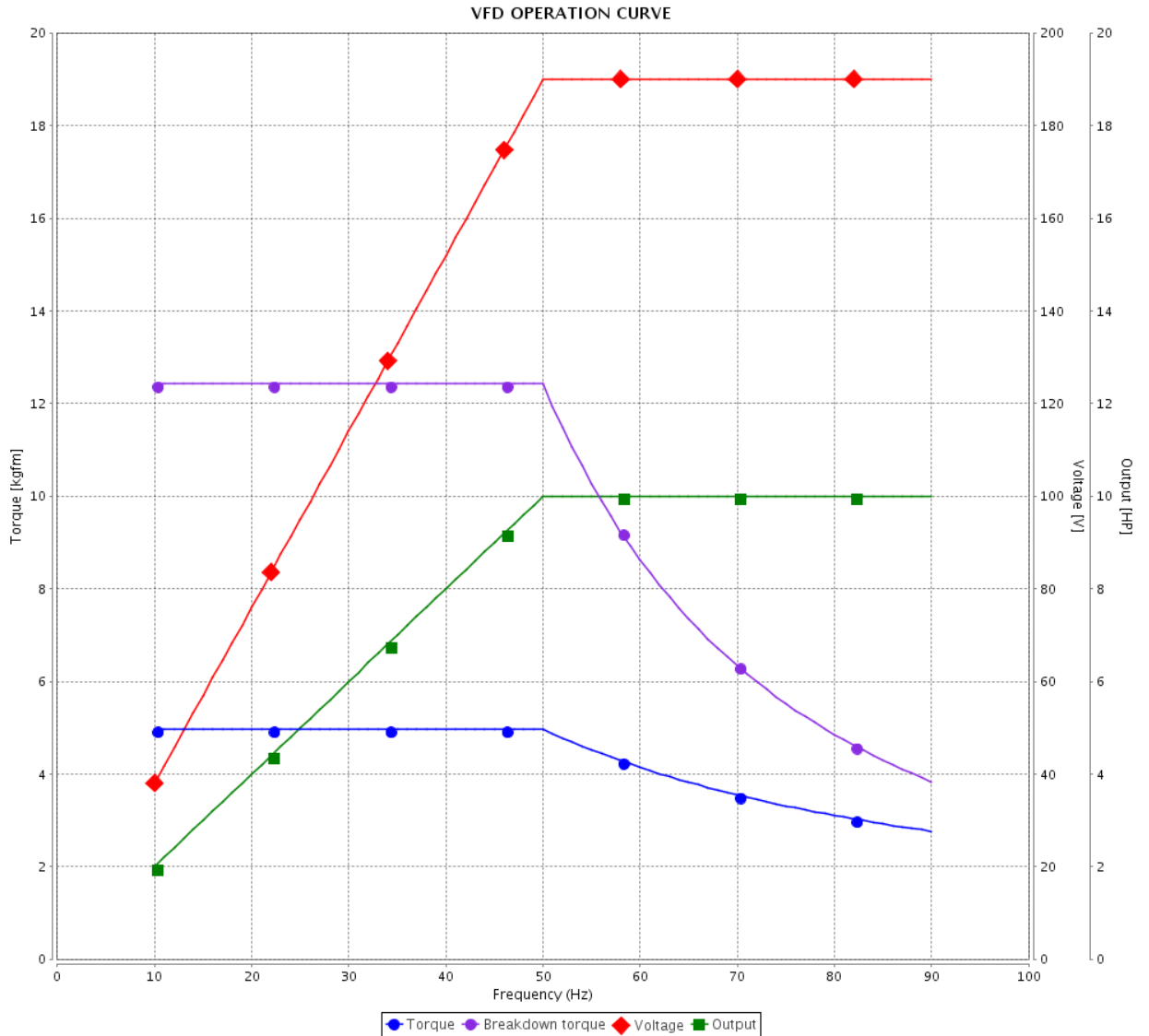


Customer :

Product line : Rolled Steel NEMA Premium Efficiency Three-Phase

Product code : 12674979

Catalog # : 01018OT3E215T-SG



Performance : 190/380 V 50 Hz 4P

Rated current : 29.8/14.9 A  
 LRC : 6.4  
 Rated torque : 4.97 kgfm  
 Locked rotor torque : 200 %  
 Breakdown torque : 250 %  
 Rated speed : 1460 rpm

Moment of inertia (J) : 0.0546 kgm<sup>2</sup>  
 Duty cycle : Cont.(S1)  
 Insulation class : F  
 Service factor : 1.15  
 Temperature rise : 80 K  
 Design : B

Rev.	Changes Summary	Performed	Checked	Date
Performed by		Page		Revision
Checked by		15 / 16		
Date	22/03/2021			

# VFD OPERATION CURVE

Three Phase Induction Motor - Squirrel Cage

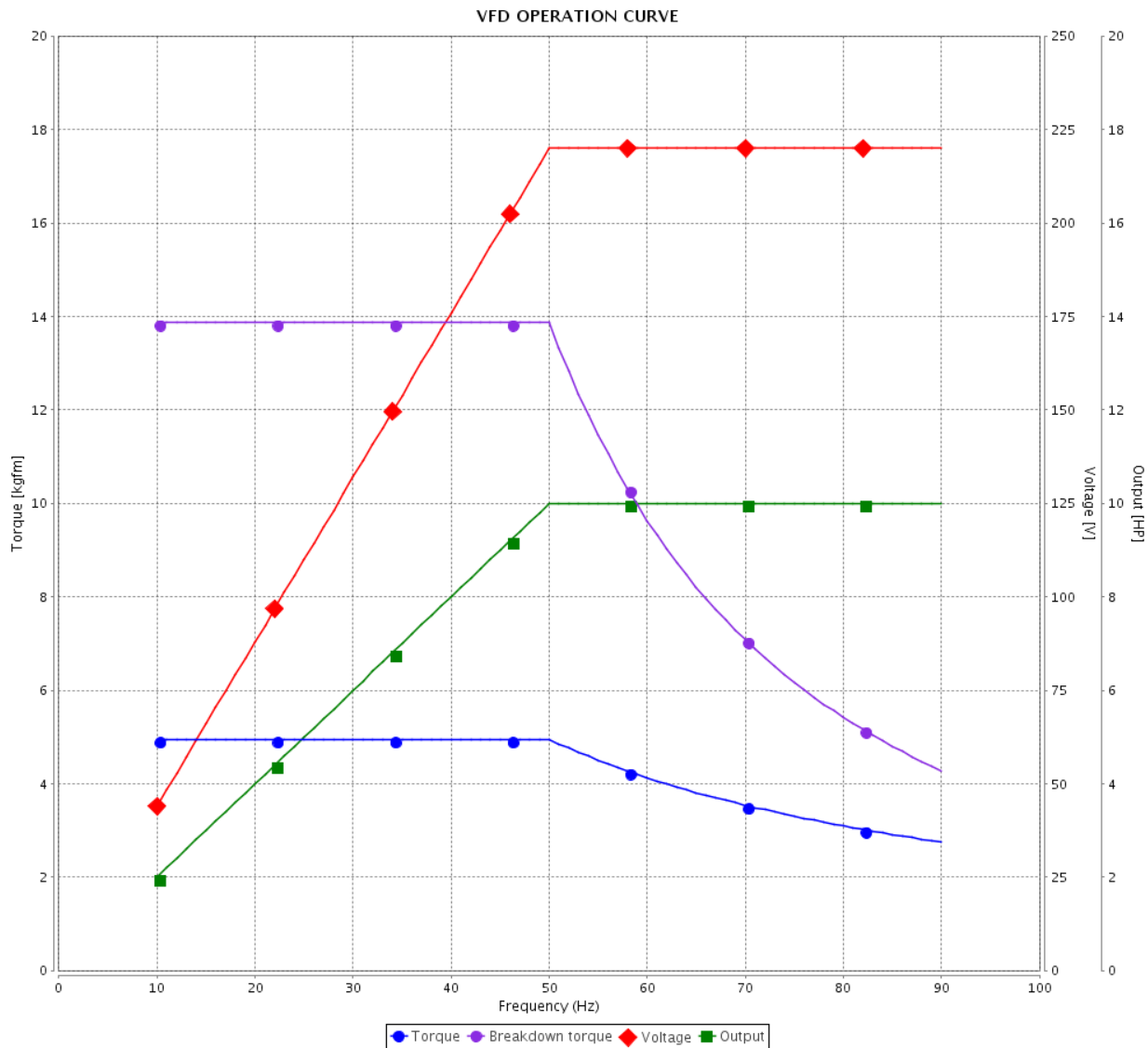


Customer :

Product line : Rolled Steel NEMA Premium Efficiency Three-Phase

Product code : 12674979

Catalog # : 01018OT3E215T-SG



Performance : 220/415 V 50 Hz 4P

Rated current : 27.2/14.4 A  
 LRC : 7.1  
 Rated torque : 4.95 kgfm  
 Locked rotor torque : 220 %  
 Breakdown torque : 280 %  
 Rated speed : 1465 rpm

Moment of inertia (J) : 0.0546 kgm<sup>2</sup>  
 Duty cycle : Cont.(S1)  
 Insulation class : F  
 Service factor : 1.15  
 Temperature rise : 80 K  
 Design : B

Rev.	Changes Summary	Performed	Checked	Date
Performed by			Page	Revision
Checked by				
Date				

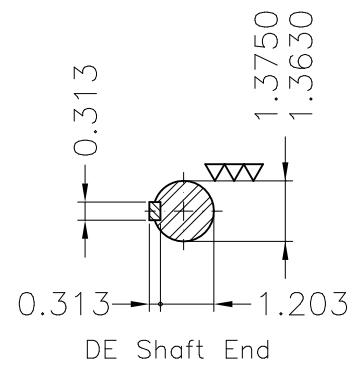
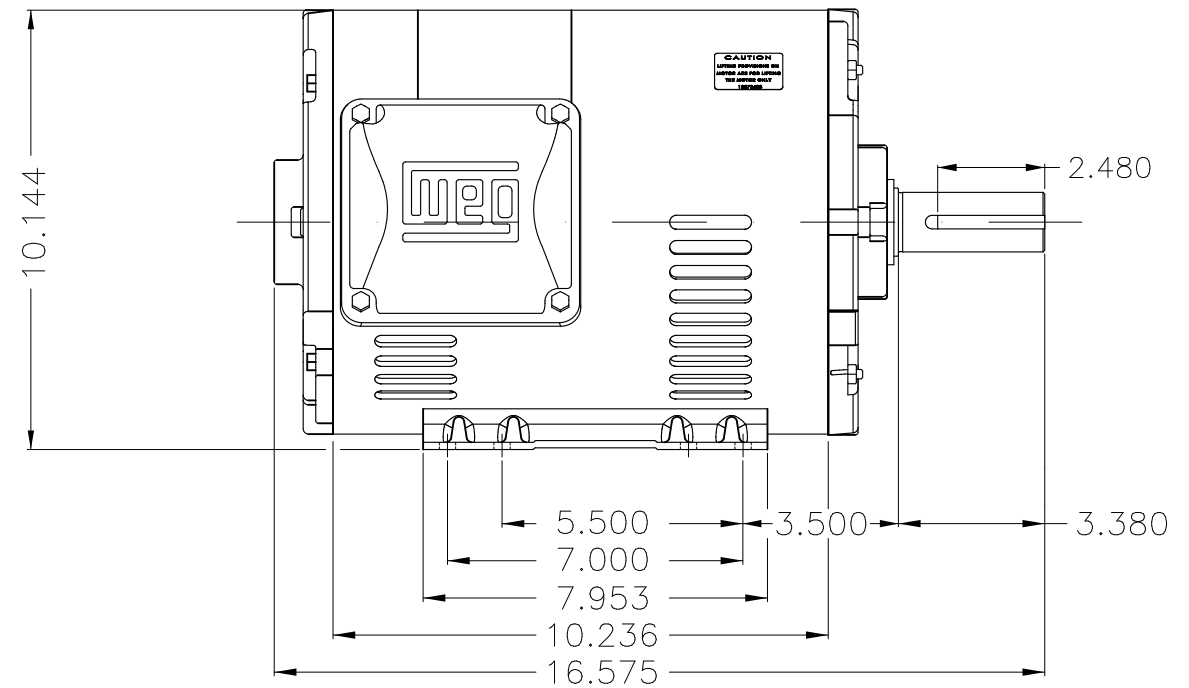
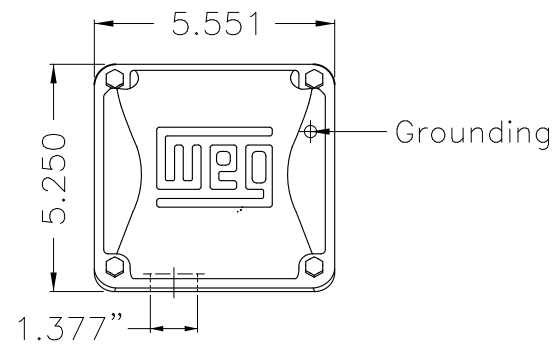
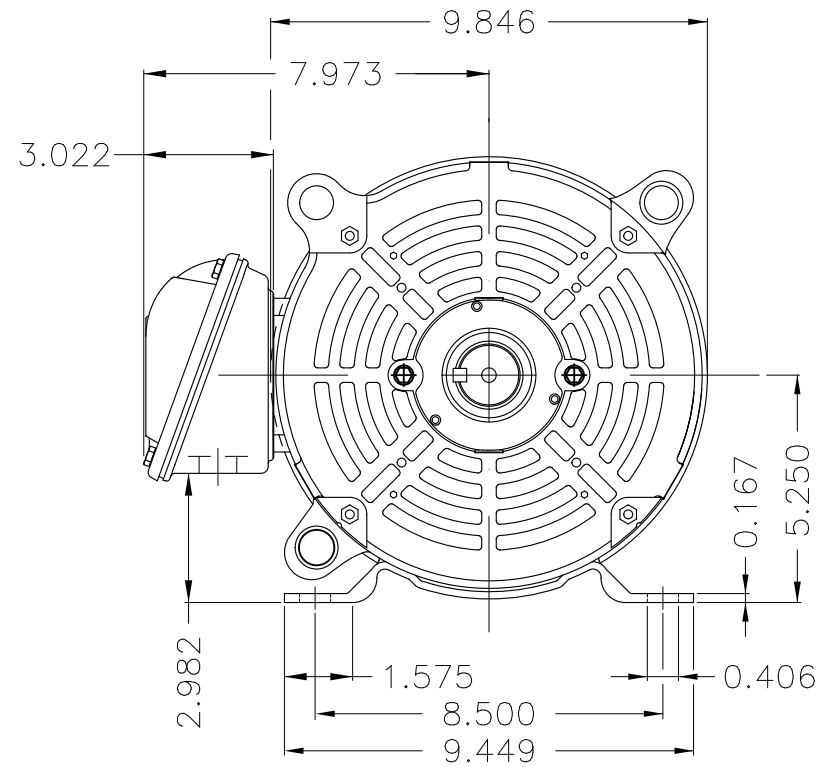


No reproduction of this drawing is allowed without written permission of WEG Motores

EIXO  
 PADRÃO  
 OPCIONAL  
 ESPECIAL

Dimensões em polegada  
 Dimensions in inches

THIS IS AN UPDATED REVISION, THE PREVIOUS ONE MUST BE DISREGARDED.



Internal AEGIS ground ring on the DE  
 Bearing cap  
 Color Munsell N 1 matte black  
 Painting plan 207N  
 Mounting F-1/B3R(D)

ECM	LOC	SUMMARY OF MODIFICATIONS	EXECUTED	CHECKED	RELEASED	DATE	VER
EXECUTED	USERADMIN	THREE P. MOTOR OPEN ROLLED STEEL NEMA PREM					
CHECKED		FRAME 213/5T ODP					
RELEASED		WEG code: 12674979					
REL DT	22.03.2021	WMO Jaragua do Sul	Product Engineering	SHEET	1 / 1		

10 HP 04 Poles 60Hz

A



ZME A3

**NEMA  
Premium**

3PT9



Energy Verified

MADE IN MEXICO

**MAT: 12674979 CC029A****W01.T00IC0X0N****MODEL 010180T3E215T-SG****23MAR2021 S/N:**

<b>PH 3</b>	<b>Hz 60</b>	<b>HP 10</b>
<b>FR 213/5T</b>		<b>KW 7.5</b>
<b>DUTY CONT.</b>		<b>V 230/460</b>
<b>ALT 1000 m.a.s.l.</b>		<b>A 24.8/12.4</b>
<b>INS CL F AT 80K</b>		<b>SFA 28.5/14.3</b>
<b>AMB 40°C</b>	<b>DES B</b>	<b>SF 1.15</b>
<b>ENCL ODP</b>	<b>CODE H</b>	<b>PF 0.83</b>
<b>USABLE @ 208V 27.4A</b>		<b>RPM 1770</b>
<b>SF1.00</b>		<b>NEMA NOM. EFF 91.7%</b>

**ALTERNATE RATING: 10HP 50Hz 190-220/380-415V SF1.15**  
**29.8-28.4/14.9-14.0A 1460RPM EFF 88.1% (IE1) IEC 60034-1**

Inverter duty motor For 80Hz use on VPWM 1000:1 VT, 5:1 CT

<b>DE 6208-ZZ</b>	<b>ODE 6206-ZZ</b>	<b>MOBIL POLYREX EM</b>
-------------------	--------------------	-------------------------



T1-BLU T2-WHT  
 T3-ORG T4-YEL  
 T5-BLK T6-GRY  
 T7-PNK T8-RED  
 T9-BRK RED

INTERCHANGE ANY TWO LINE WIRES TO REVERSE THE ROTATION



**WARNING:** Motor must be grounded in accordance with local and national electrical codes to prevent serious electrical shocks. Disconnect power source before servicing unit.

**AVERTISSEMENT:** Le moteur doit être mis à la terre

conformément aux codes électriques locaux et nationaux afin d'éviter tout choc électrique grave. Déconnectez l'alimentation avant l'entretien de la machine.

