

DATA SHEET

Three Phase Induction Motor - Squirrel Cage



Customer		:	
Product line	: W22 NEMA Premium Efficiency Three-Phase	Product code :	12700685
		Catalog # :	02518ET3E284T-W22G
Frame	: 284/6T	Cooling method	: IC411 - TEFC
Insulation class	: F	Mounting	: F-1
Duty cycle	: Cont.(S1)	Rotation ¹	: Both (CW and CCW)
Ambient temperature	: -20°C to +40°C	Starting method	: Direct On Line
Altitude	: 1000 m.a.s.l.	Approx. weight ²	: 185 kg
Protection degree	: IP55	Moment of inertia (J)	
Design	: B		
Output [HP]	25		25
Poles	4		4
Frequency [Hz]	60		50
Rated voltage [V]	208-230/460		380
Rated current [A]	65.2-59.0/29.5		35.6
L. R. Amperes [A]	404-366/183		174
LRC [A]	6.2x(Code G)		4.9x(Code E)
No load current [A]	18.1-21.0/10.5		10.4
Rated speed [RPM]	1765		1445
Slip [%]	1.94		3.67
Rated torque [kgfm]	10.3		12.6
Locked rotor torque [%]	240		180
Breakdown torque [%]	270		210
Service factor	1.25		1.00
Temperature rise	80 K		80 K
Locked rotor time	43s (cold) 24s (hot)		32s (cold) 18s (hot)
Noise level ²	64.0 dB(A)		61.0 dB(A)
Efficiency (%)	25%	0.000	0.000
	50%	92.4	92.4
	75%	93.0	91.7
	100%	93.6	91.7
Power Factor	25%	0.00	0.00
	50%	0.70	0.76
	75%	0.80	0.84
	100%	0.84	0.86
Bearing type	: <u>Drive end</u> 6311 C3 <u>Non drive end</u> 6211 C3	Foundation loads	
Sealing	: V'Ring V'Ring	Max. traction	: 284 kgf
Lubrication interval	: 20000 h 20000 h	Max. compression	: 469 kgf
Lubricant amount	: 18 g 11 g		
Lubricant type	: Mobil Polyrex EM		
Notes			
This revision replaces and cancel the previous one, which must be eliminated. (1) Looking the motor from the shaft end. (2) Measured at 1m and with tolerance of +3dB(A). (3) Approximate weight subject to changes after manufacturing process. (4) At 100% of full load.		These are average values based on tests with sinusoidal power supply, subject to the tolerances stipulated in NEMA MG-1.	
Rev.	Changes Summary	Performed	Checked
			Date
Performed by			
Checked by			Page
Date	22/03/2021		1 / 11
			Revision

TORQUE AND CURRENT VS SPEED CURVE

Three Phase Induction Motor - Squirrel Cage

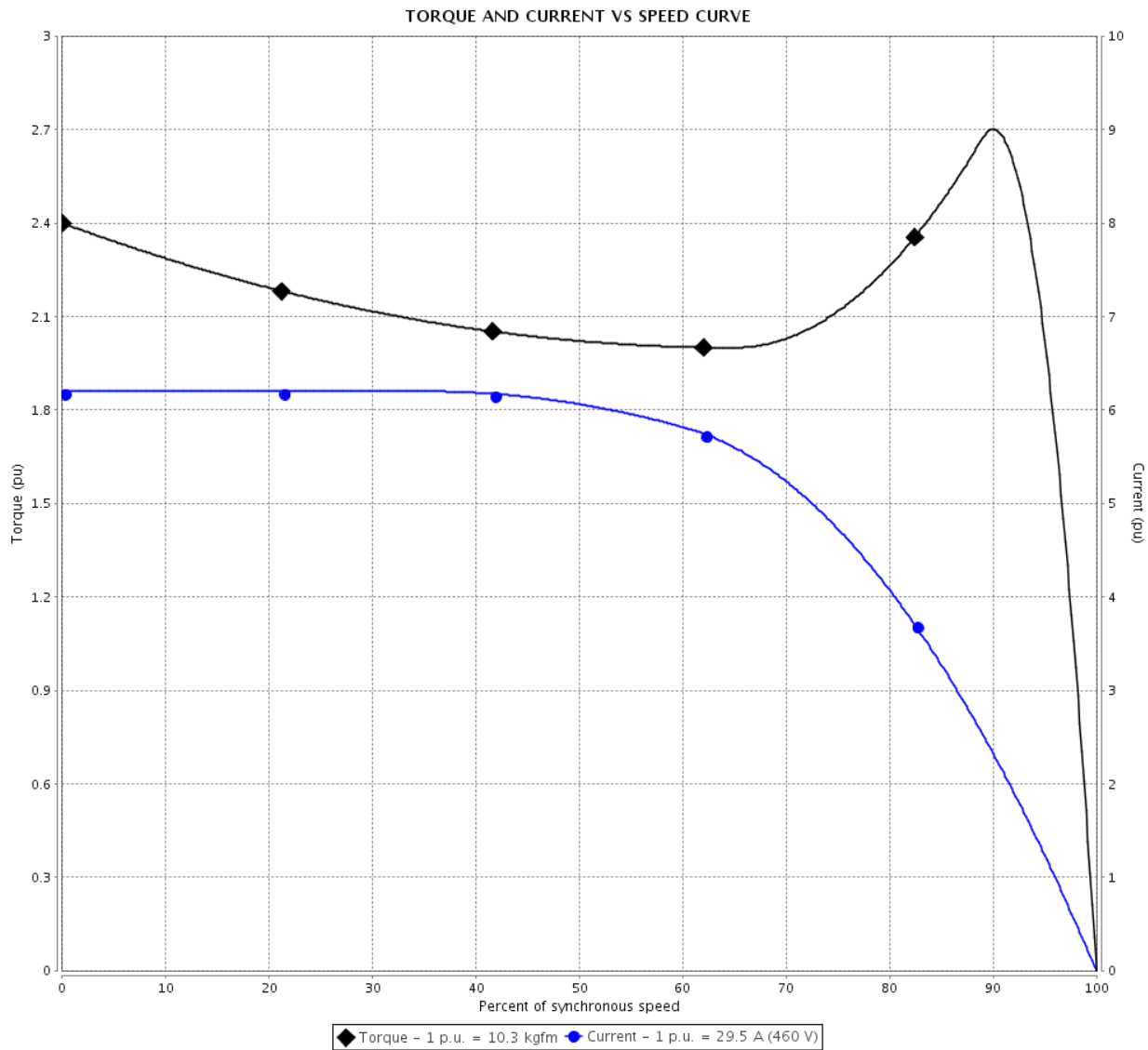


Customer :

Product line : W22 NEMA Premium Efficiency
Three-Phase

Product code : 12700685

Catalog # : 02518ET3E284T-W22G



Performance : 208-230/460 V 60 Hz 4P

Rated current	: 65.2-59.0/29.5 A	Moment of inertia (J)	
LRC	: 6.2	Duty cycle	: Cont.(S1)
Rated torque	: 10.3 kgfm	Insulation class	: F
Locked rotor torque	: 240 %	Service factor	: 1.25
Breakdown torque	: 270 %	Temperature rise	: 80 K
Rated speed	: 1765 rpm	Design	: B

Locked rotor time : 43s (cold) 24s (hot)

Rev.	Changes Summary	Performed	Checked	Date
Performed by			Page 2 / 11	Revision
Checked by				
Date	22/03/2021			

TORQUE AND CURRENT VS SPEED CURVE



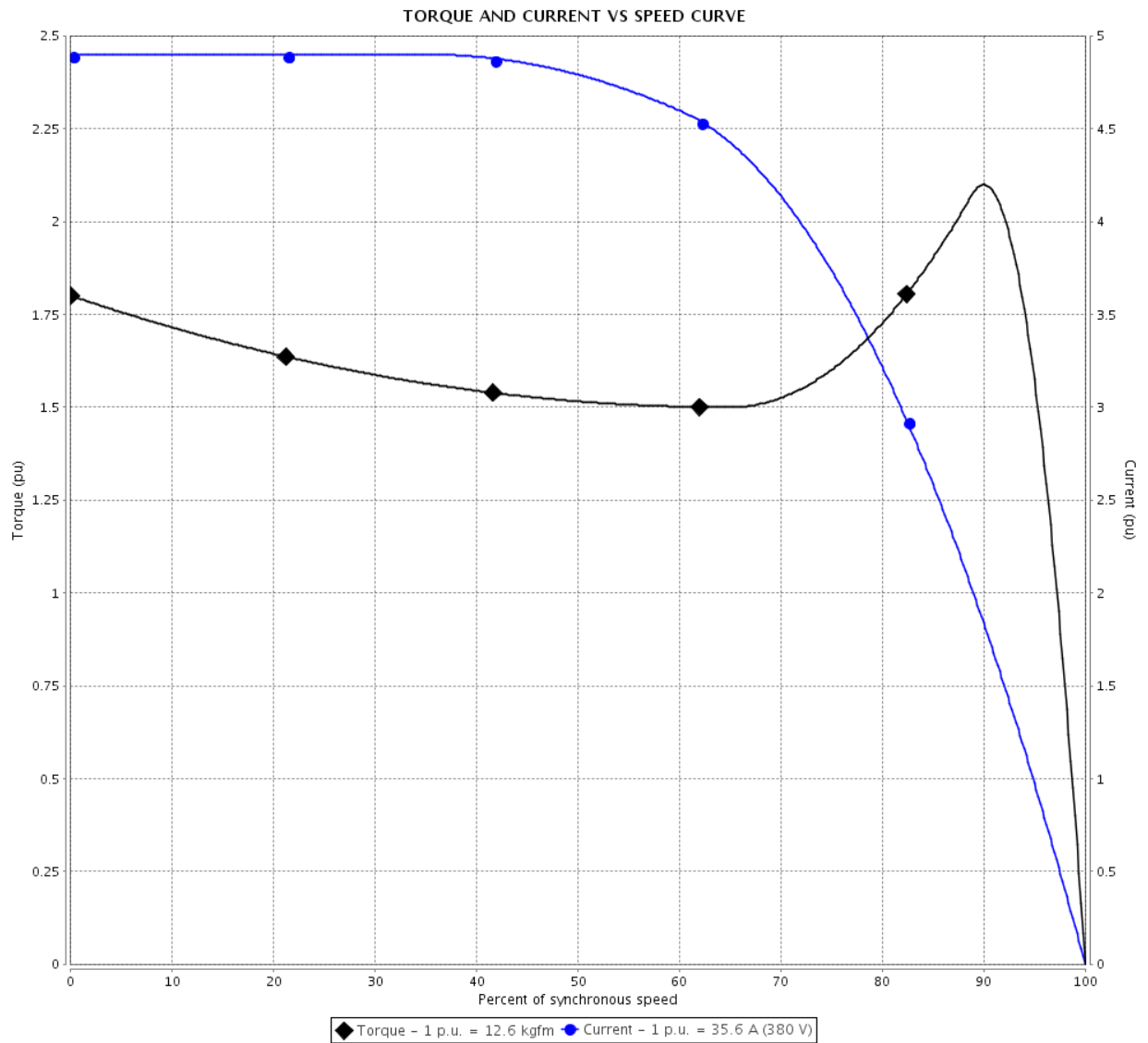
Three Phase Induction Motor - Squirrel Cage

Customer :

Product line : W22 NEMA Premium Efficiency
Three-Phase

Product code : 12700685

Catalog # : 02518ET3E284T-W22G



Performance : 380 V 50 Hz 4P

Rated current : 35.6 A
LRC : 4.9
Rated torque : 12.6 kgfm
Locked rotor torque : 180 %
Breakdown torque : 210 %
Rated speed : 1445 rpm

Moment of inertia (J)
Duty cycle : Cont.(S1)
Insulation class : F
Service factor : 1.00
Temperature rise : 80 K
Design : B

Locked rotor time : 32s (cold) 18s (hot)

Rev.	Changes Summary	Performed	Checked	Date
Performed by		Page		Revision
Checked by		3 / 11		
Date		22/03/2021		

LOAD PERFORMANCE CURVE

Three Phase Induction Motor - Squirrel Cage

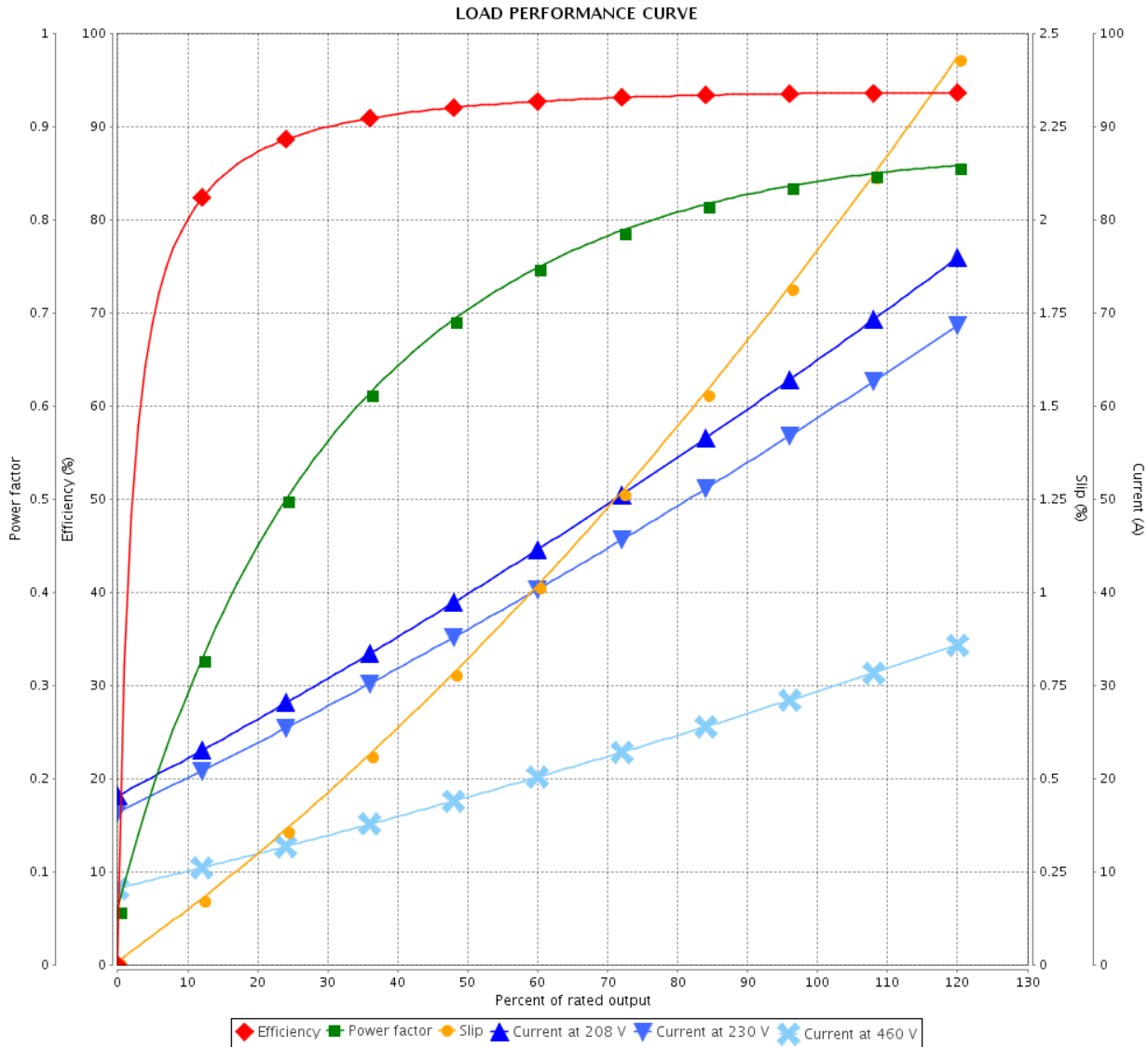


Customer : _____

Product line : W22 NEMA Premium Efficiency Three-Phase

Product code : 12700685

Catalog # : 02518ET3E284T-W22G



Performance : 208-230/460 V 60 Hz 4P

Rated current : 65.2-59.0/29.5 A
 LRC : 6.2
 Rated torque : 10.3 kgfm
 Locked rotor torque : 240 %
 Breakdown torque : 270 %
 Rated speed : 1765 rpm

Moment of inertia (J)
 Duty cycle : Cont.(S1)
 Insulation class : F
 Service factor : 1.25
 Temperature rise : 80 K
 Design : B

Rev.	Changes Summary	Performed	Checked	Date
Performed by			Page	Revision
Checked by				
Date				

LOAD PERFORMANCE CURVE

Three Phase Induction Motor - Squirrel Cage

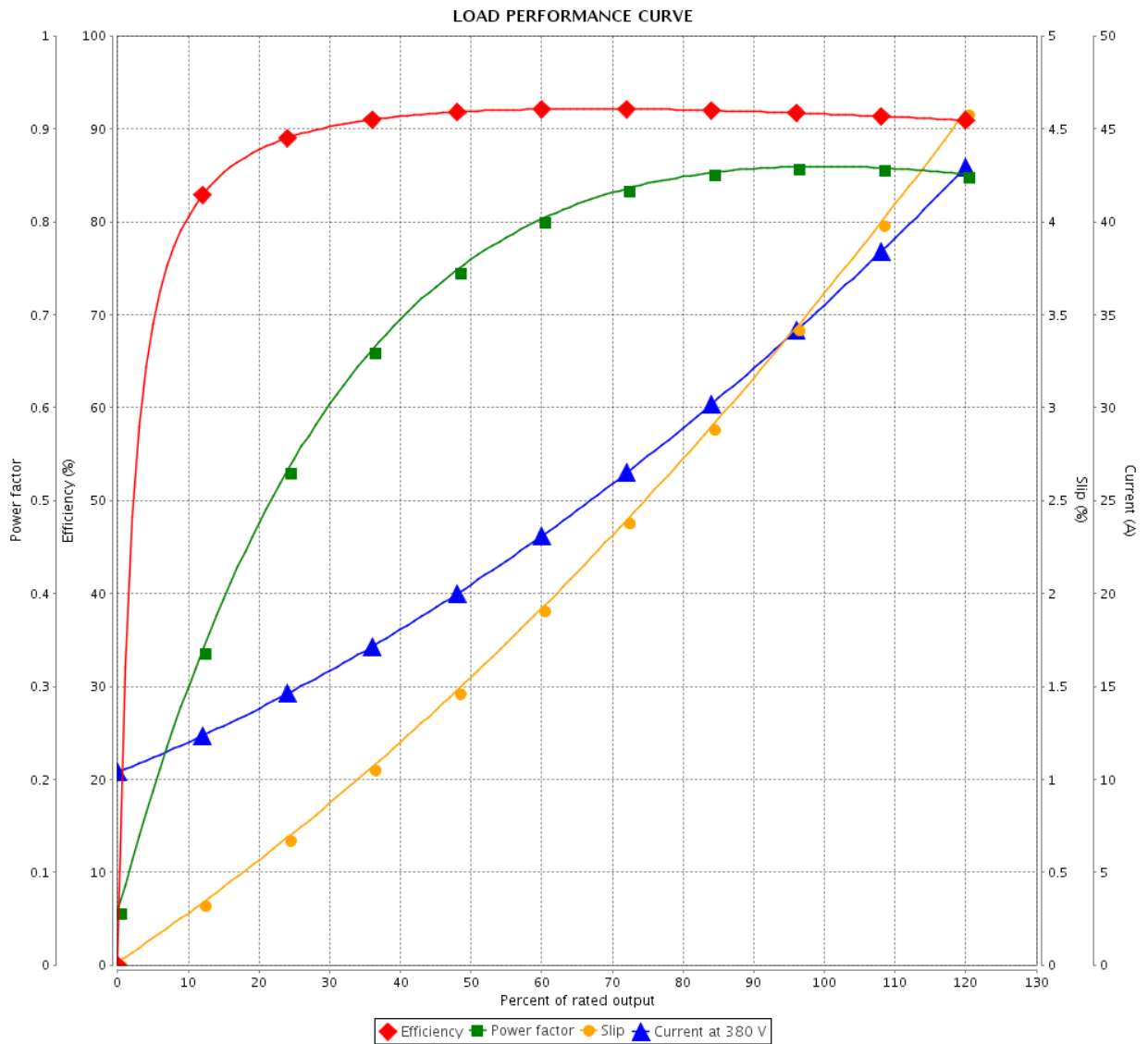


Customer :

Product line : W22 NEMA Premium Efficiency
Three-Phase

Product code : 12700685

Catalog # : 02518ET3E284T-W22G



Performance : 380 V 50 Hz 4P

Rated current : 35.6 A
 LRC : 4.9
 Rated torque : 12.6 kgfm
 Locked rotor torque : 180 %
 Breakdown torque : 210 %
 Rated speed : 1445 rpm

Moment of inertia (J)
 Duty cycle : Cont.(S1)
 Insulation class : F
 Service factor : 1.00
 Temperature rise : 80 K
 Design : B

Rev.	Changes Summary	Performed	Checked	Date
Performed by			Page	Revision
Checked by				
Date				

THERMAL LIMIT CURVE



Three Phase Induction Motor - Squirrel Cage

Customer :

Product line : W22 NEMA Premium Efficiency
Three-Phase

Product code : 12700685

Catalog # : 02518ET3E284T-W22G

Performance : 208-230/460 V 60 Hz 4P

Rated current : 65.2-59.0/29.5 A
LRC : 6.2
Rated torque : 10.3 kgfm
Locked rotor torque : 240 %
Breakdown torque : 270 %
Rated speed : 1765 rpm

Moment of inertia (J)
Duty cycle : Cont.(S1)
Insulation class : F
Service factor : 1.25
Temperature rise : 80 K
Design : B

Heating constant

Cooling constant

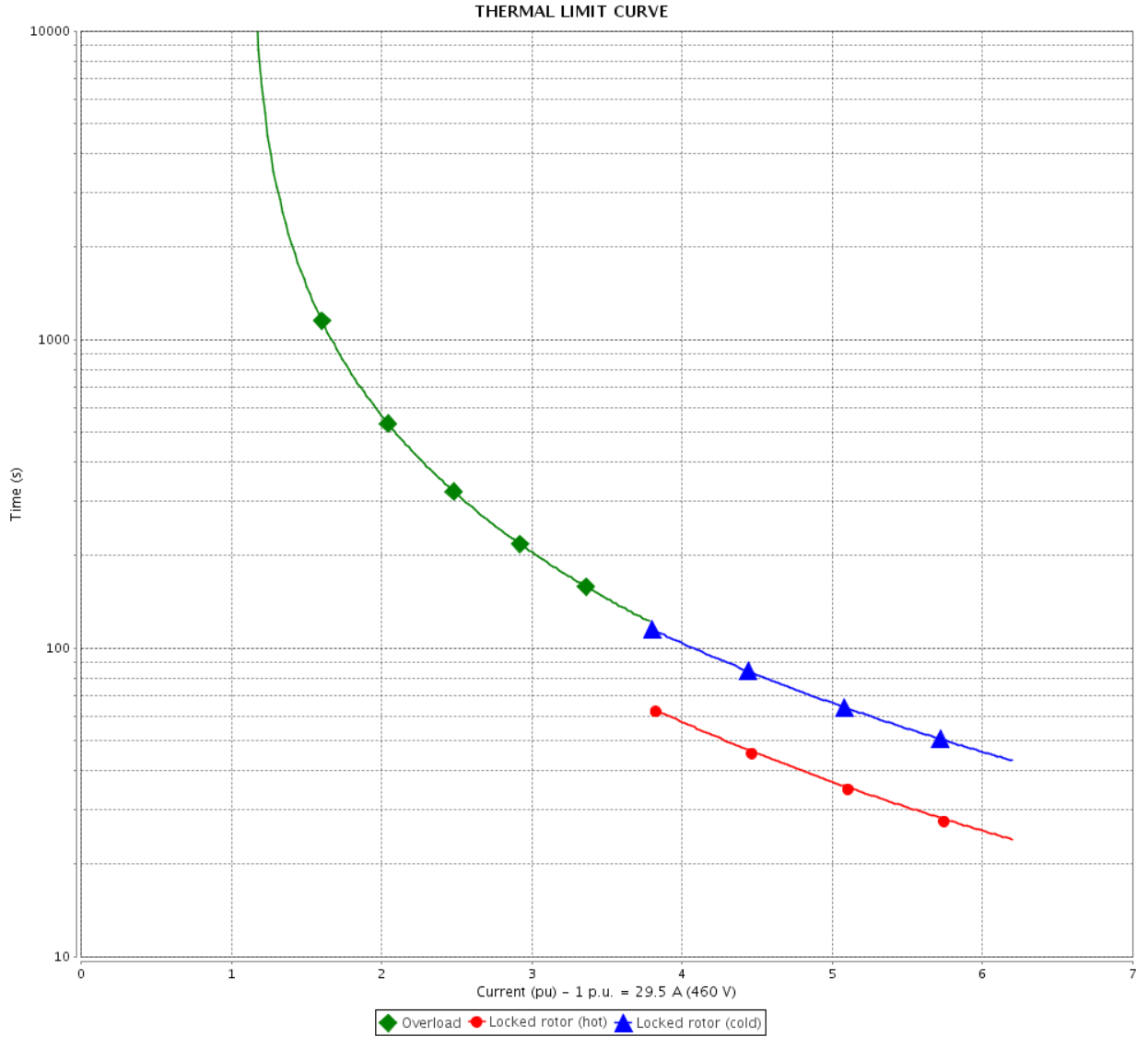
Rev.	Changes Summary	Performed	Checked	Date
Performed by				
Checked by			Page	Revision
Date	22/03/2021		6 / 11	

THERMAL LIMIT CURVE

Three Phase Induction Motor - Squirrel Cage



Customer : _____



Rev.	Changes Summary	Performed	Checked	Date
Performed by		Page 7 / 11		Revision
Checked by				
Date				

THERMAL LIMIT CURVE

Three Phase Induction Motor - Squirrel Cage



Customer :

Product line : W22 NEMA Premium Efficiency
Three-Phase

Product code : 12700685

Catalog # : 02518ET3E284T-W22G

Performance : 380 V 50 Hz 4P

Rated current	: 35.6 A	Moment of inertia (J)	
LRC	: 4.9	Duty cycle	: Cont.(S1)
Rated torque	: 12.6 kgfm	Insulation class	: F
Locked rotor torque	: 180 %	Service factor	: 1.00
Breakdown torque	: 210 %	Temperature rise	: 80 K
Rated speed	: 1445 rpm	Design	: B

Heating constant

Cooling constant

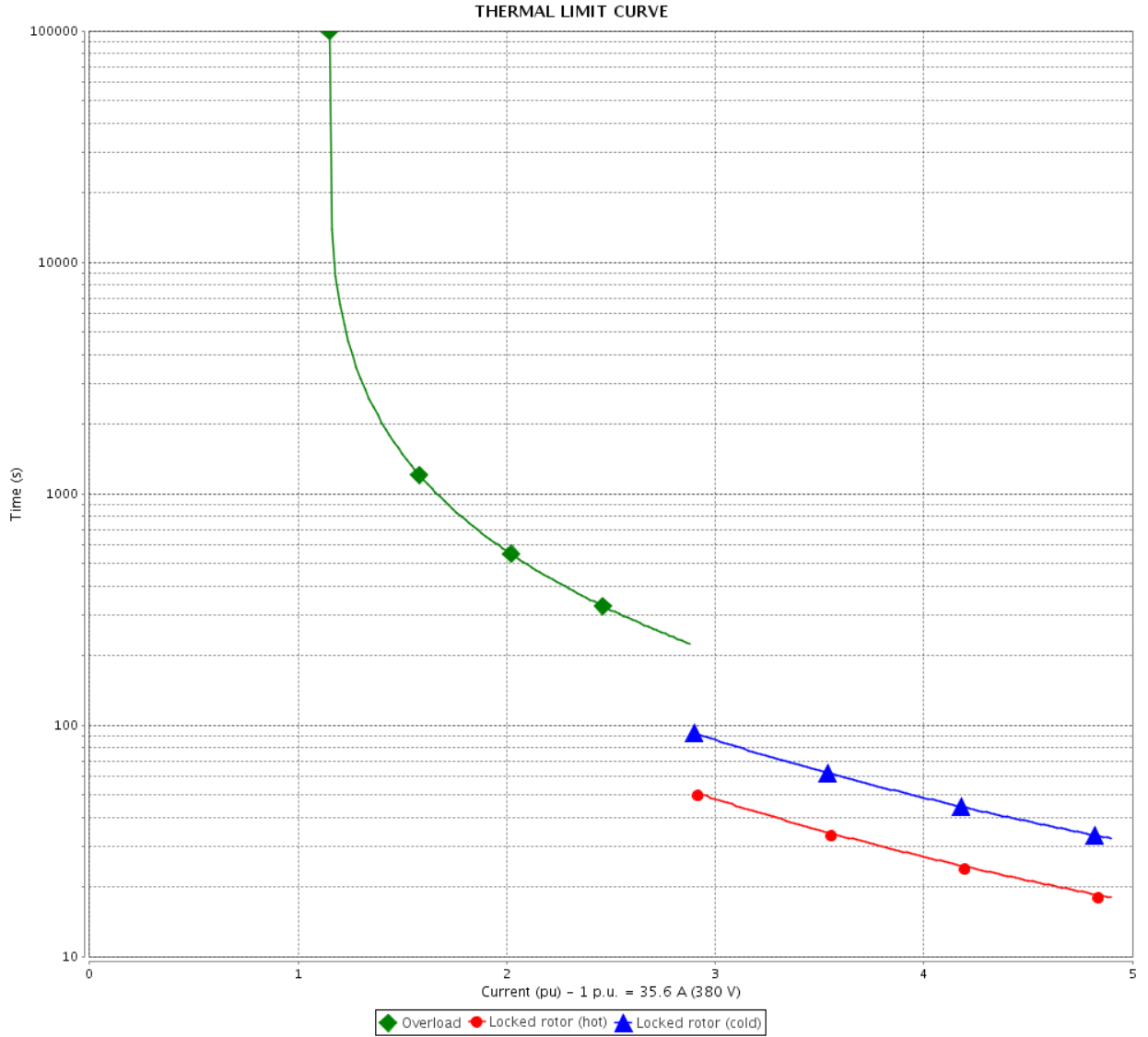
Rev.	Changes Summary	Performed	Checked	Date
Performed by				
Checked by			Page	Revision
Date	22/03/2021		8 / 11	

THERMAL LIMIT CURVE

Three Phase Induction Motor - Squirrel Cage



Customer : _____



Rev.	Changes Summary	Performed	Checked	Date
Performed by		Page		Revision
Checked by		9 / 11		
Date	22/03/2021			

VFD OPERATION CURVE

Three Phase Induction Motor - Squirrel Cage

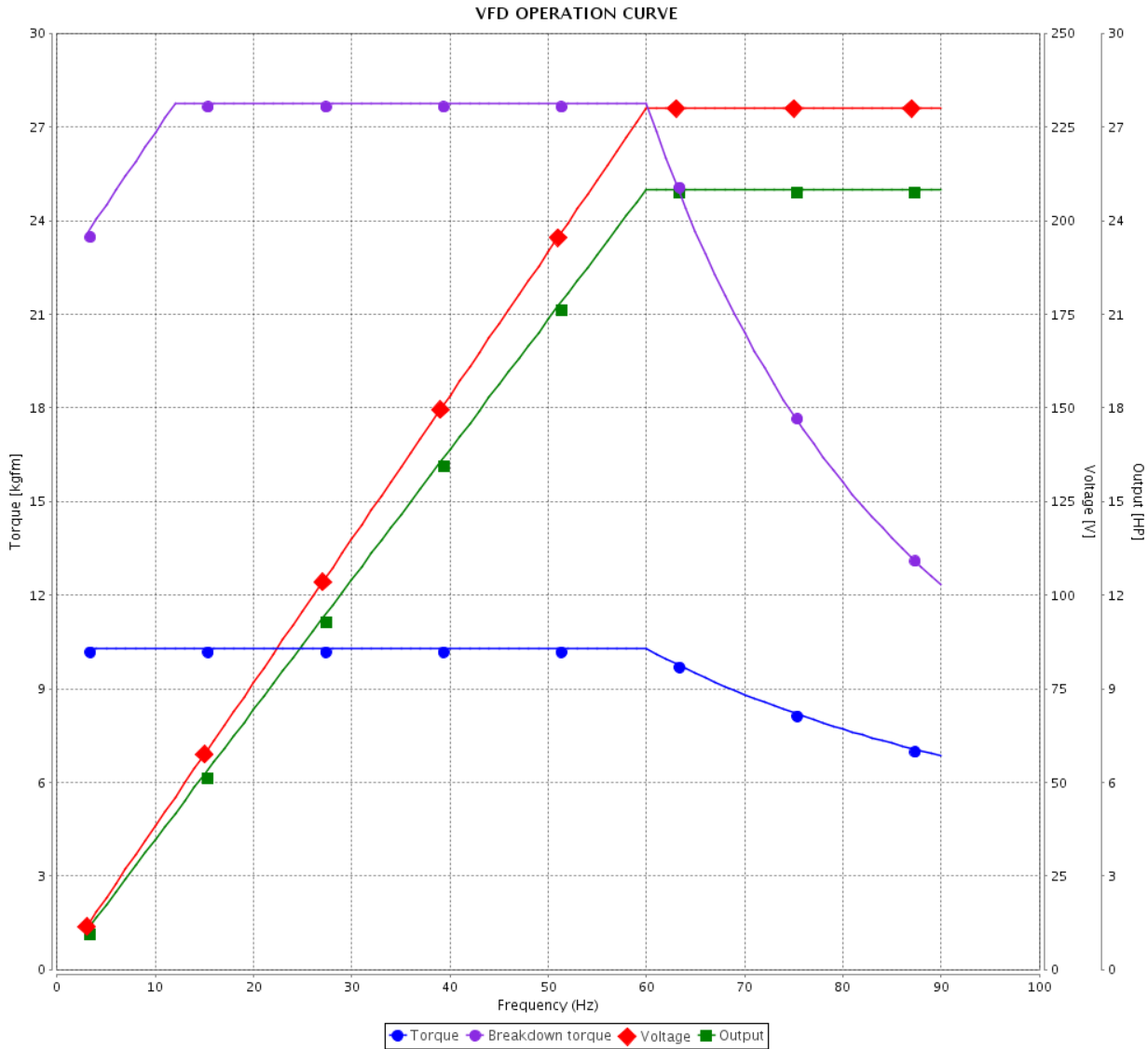


Customer :

Product line : W22 NEMA Premium Efficiency Three-Phase

Product code : 12700685

Catalog # : 02518ET3E284T-W22G



Performance : 208-230/460 V 60 Hz 4P

Rated current : 65.2-59.0/29.5 A
 LRC : 6.2
 Rated torque : 10.3 kgfm
 Locked rotor torque : 240 %
 Breakdown torque : 270 %
 Rated speed : 1765 rpm

Moment of inertia (J)
 Duty cycle : Cont.(S1)
 Insulation class : F
 Service factor : 1.25
 Temperature rise : 80 K
 Design : B

Rev.	Changes Summary	Performed	Checked	Date
Performed by			Page 10 / 11	Revision
Checked by				
Date	22/03/2021			

VFD OPERATION CURVE

Three Phase Induction Motor - Squirrel Cage

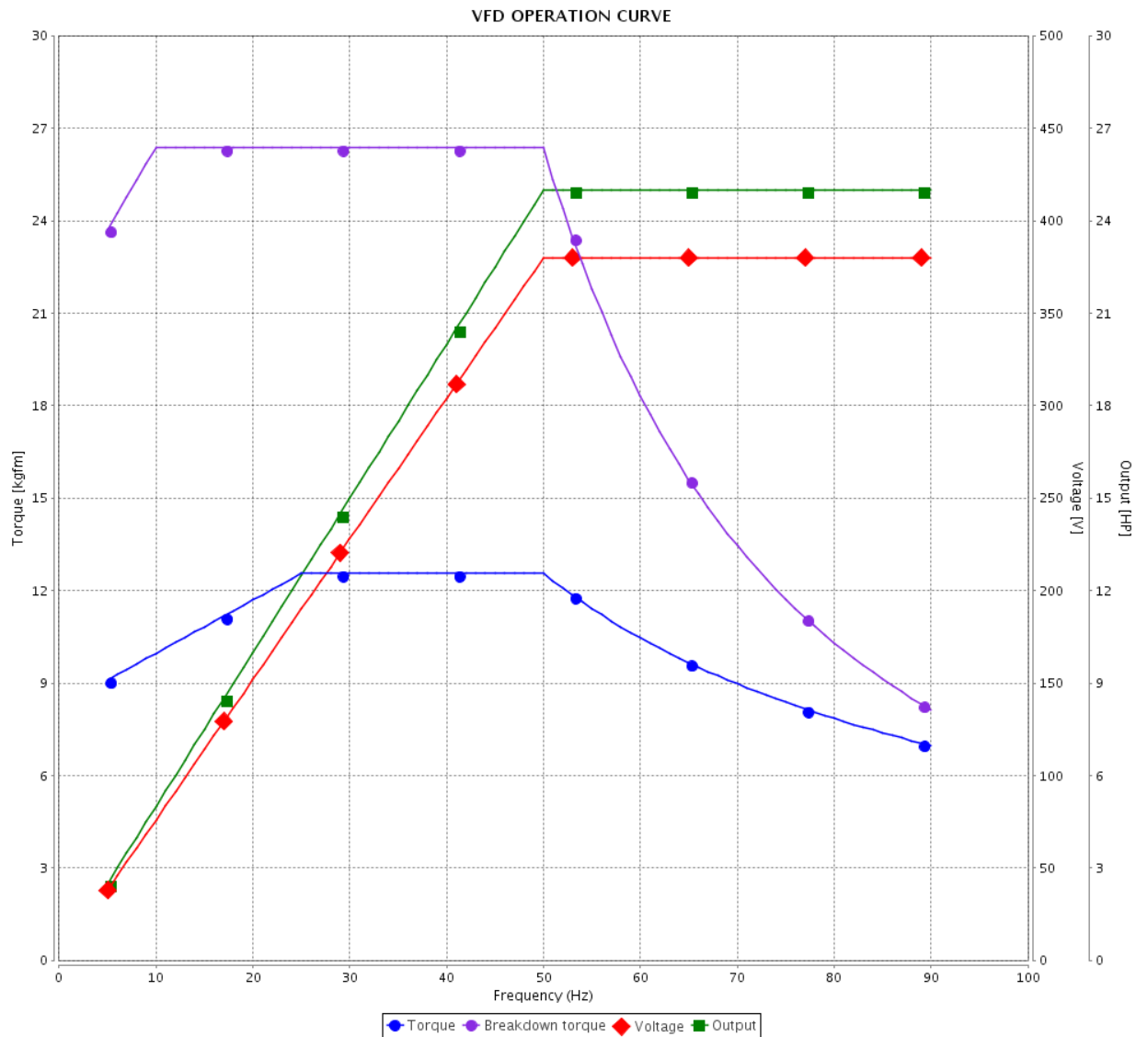


Customer :

Product line : W22 NEMA Premium Efficiency
Three-Phase

Product code : 12700685

Catalog # : 02518ET3E284T-W22G



Performance : 380 V 50 Hz 4P

Rated current : 35.6 A
 LRC : 4.9
 Rated torque : 12.6 kgfm
 Locked rotor torque : 180 %
 Breakdown torque : 210 %
 Rated speed : 1445 rpm

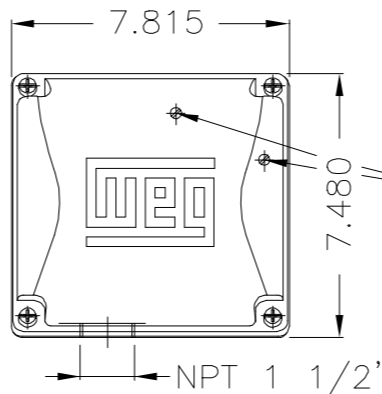
Moment of inertia (J)
 Duty cycle : Cont.(S1)
 Insulation class : F
 Service factor : 1.00
 Temperature rise : 80 K
 Design : B

Rev.	Changes Summary	Performed	Checked	Date
Performed by			Page	Revision
Checked by				
Date				

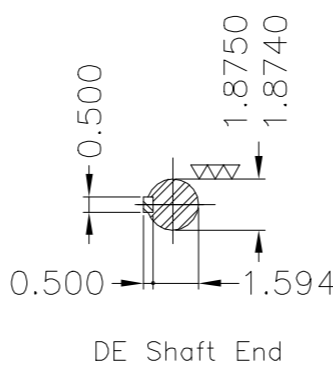
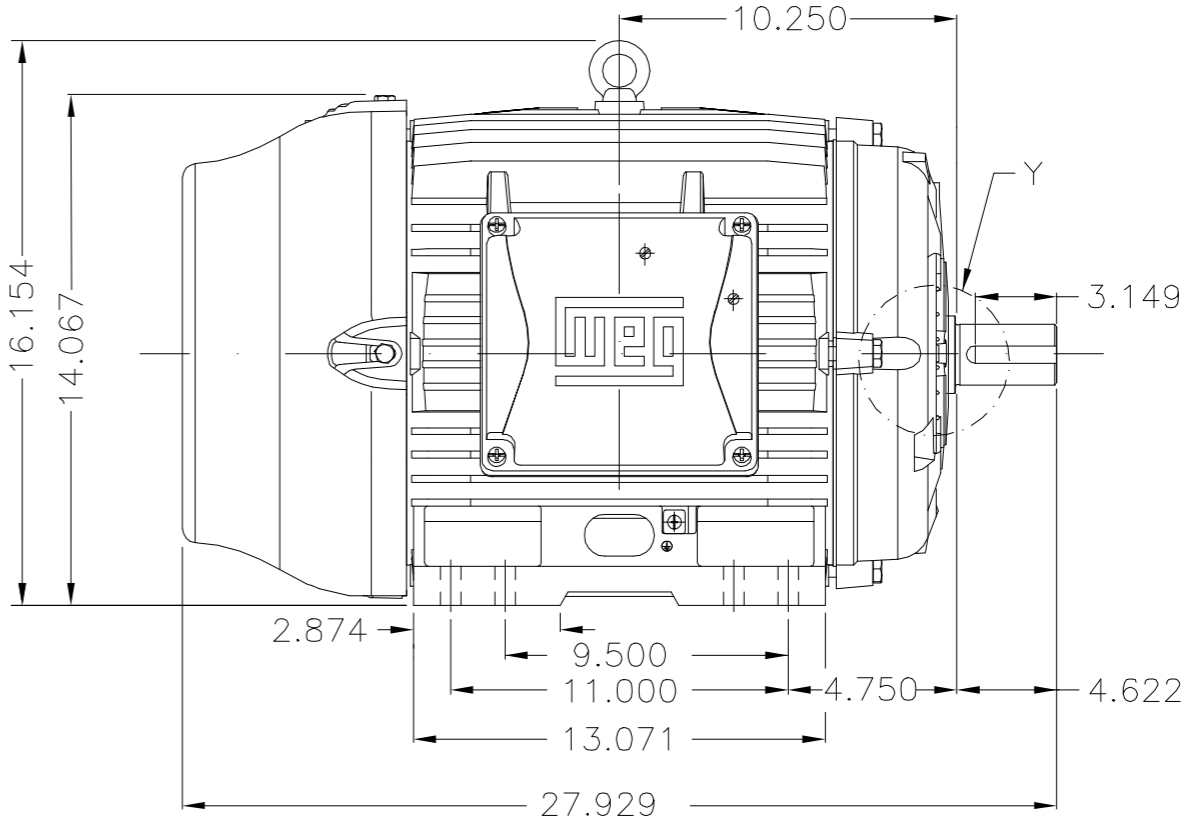
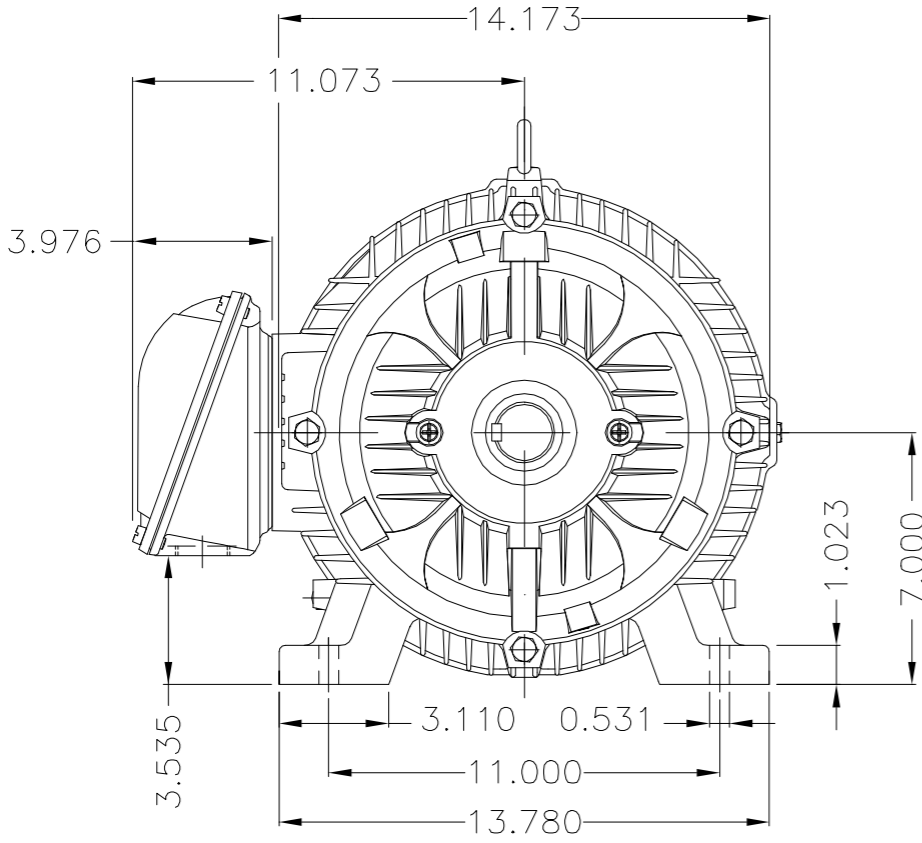
EIXO/SHAFT	
PADRÃO/STANDARD	X
OPCIONAL/OPTIONAL	
ESPECIAL/SPECIAL	

Dimensões em polegadas
Dimensions in inches

THIS IS AN UPDATED REVISION, THE PREVIOUS ONE MUST BE DISREGARDED.

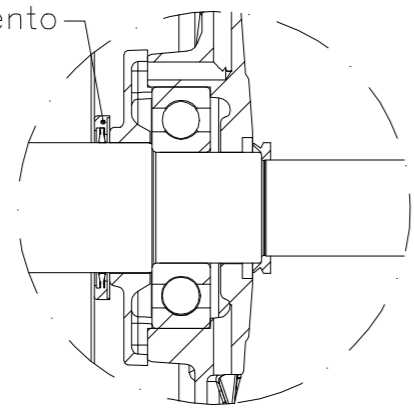


Main terminal box



DE Shaft End

Anel de aterramento



Detail Y

Kit porta escova de aterramento AEGIS interno na tampa dianteira /
Brush holder Kit AEGIS internal D.E.
Plano de pintura 203A / Painting plan 203A
Forma construtiva NEMA F-1 / Mounting NEMA F-1
Forma construtiva B3D / Mounting B3R(D)

WEG ELECTRIC CORP.

OV: 3061371
PC: CHI000017232

500000881180		RETIRADO CARIMBO LP	WILLIANR	DWAGNER	17.04.2014	02	
500000861825		CARIMBO LOTE PILOTO	PATRICKL	WILLIANR	27.02.2014	01	
ECM	LOC	SUMMARY OF MODIFICATIONS	EXECUTED	CHECKED	RELEASED	DATE	VER
EXECUTED	PATRICKL	THREE PHASE W22 MOTOR - NEMA PREMIUM EFF FRAME 284/6T IP55					
CHECKED							
RELEASED	ALCHINI						
REL DT	10.02.2014	WMO	JARAGUA DO SUL	ENGENHARIA DE PRODUTO	10002700189		
					000	02	
					SHEET 1 / 1		

25 HP 04 Poles 60Hz



UNCONTROLLED COPY RELEASED ZME A3

WEG **W22 NEMA**
CC029A Premium

*Inverter Duty Motor
 Severe Duty*



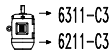
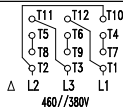
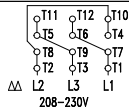
MOD.TE1BFOXON



For 60Hz use on PWM, VT 1000:1, CT 20:1, 1.0SF

MODEL 02518ET3E284T-W22G
 MADE IN BRAZIL
 12700685

PH 3	FR 284/6T	HP(kW) 25.0(18.5)	Hz 60
V 230/460	A 59.0/29.5	RPM 1765	DES B
NEMA NOM EFF 93.6 %	INS. CL. F Δ T 80 K	IP55	
ENCL TEFC	DUTY CONT.	AMB. 40°C	
CODE G	PF 0.84	SF 1.25	SFA 73.8/36.9
USABLE @208V	65.2 A	SF 1.15	SFA 75.0
25HP 18.5kW 50Hz 380V 35.6A 1445RPM SF1.00 EFF 91.7% (IE2)	ALT 1000 m.a.s.l.		



MOBIL POLYREX EM
 18 g 20000 h

ALT 1000 m.a.s.l. 430 Lbs